

RDCD15SH

CE



4BRF



REGOLAZIONE PLUG AND PLAY WIRELESS INCLUSA

BY-PASS AUTOMATICO INCLUSO

INSTALLAZIONE ORIZZONTALE-VERTICALE-DESTRA-SINISTRA

WIRELESS PLUG AND PLAY CONTROL SYSTEM INCLUDED

AUTOMATIC BY-PASS INCLUDED

INSTALLATION HORIZONTAL-VERTICAL-RIGHT-LEFT

STRUTTURA:

Struttura con pannellatura sandwich afonica autoportante.

RECUPERATORE DI CALORE:

Il recuperatore di calore del tipo in controcorrente interamente realizzato in materiale plastico. In corrispondenza dello stesso è prevista una vasca per il drenaggio della condensa.

VENTILATORI:

Plug Fan con motore EC Brushless.

FILTRI:

Le unità sono provviste di serie con celle filtranti in fibra sintetica classe G4, in opzione filtro efficienza F7 su aria esterna.

STRUCTURE:

Structure with sandwich panels sound proof free standing.

HEAT RECOVERY:

The heat exchanger of the type in countercurrent entirely made of plastic material. On the same is expected a condensate drain basin.

FANS:





Plug Fan with EC Brushless engine.

FILTERS:

The units are equipped with standard filter cells synthetic fiber efficiency G4, optional F7 efficiency on fresh air.

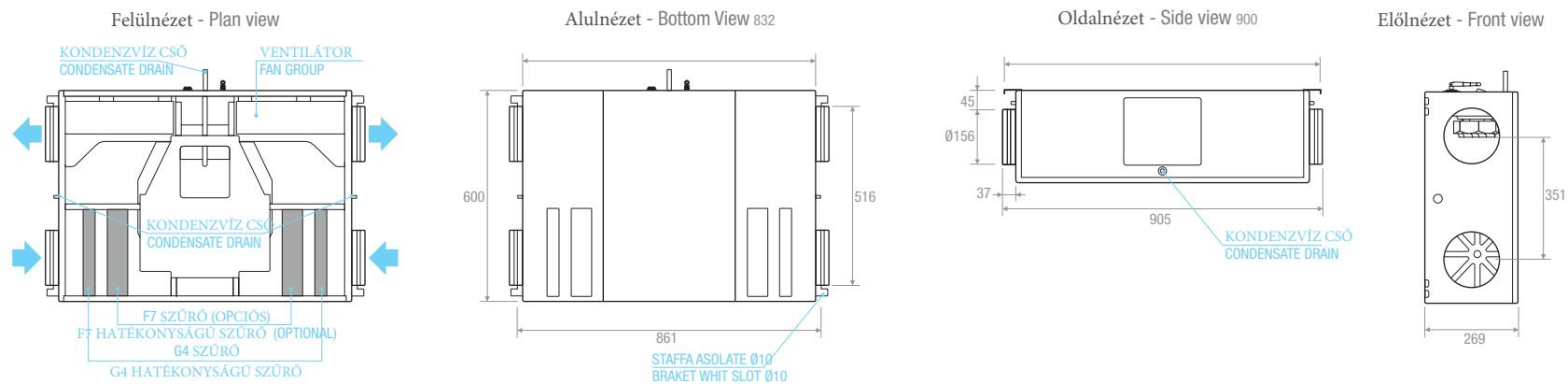
TECHNIKAI JELLEMZŐK - GENERAL TECHNICAL DATA TABLE

	RDCD 1.5 SH
Légszállítás (mc/h) - Nominal air flow (mc/h)	160
Statikus nyomás (pa) - Useful static pressure (pa)	100
VENTILÁTOR ADATOK - DATA FOR EACH FAN	
Teljesítmény (w) - Installed power (W)	27
Fordulatszám(1/min) - Round (1/MIN)	3700
Áramfelvétel (A) - Current (A)	0.27
Áramellátás (V) - Rated voltage (V)	230
Frekvencia (Hz) - Frequency (HZ)	50
SZŰRŐ(K) - FILTERS	
Hatékonyság - Efficiency Standard	G4
Hatékonyság- Efficiency Optional	F7

Model Model		Seb. szabályzó Speed control	By-pass	Fagy védelem Defrost protection	Intasamento filtri Clogged filters	Páraérzékelő Humidity control	Ellenőrzés CO ₂ CO ₂ control	Turbó funkció Booster function	MODBUS MODBUS gate way	
4BRF		•	•	•	•			•		
RHRF		•	•	•	•	•				
CO2RF		•	•	•	•		•			
MODBUSRF									•	

Plug and Play szabályzás. - Plug and Play regulation.

ÁBRA - DRAWINGS



SÚLY - WEIGHT: 28 kg

