

Haier



2021 Haier Air Conditioning

2021 AIR CONDITIONING RESIDENTIAL GENERAL CATALOGUE EU



Haier Air Conditioning



ADDRESS No.1 Haier Road, Hi-tech Zone,
Qingdao 266101 P.R.China

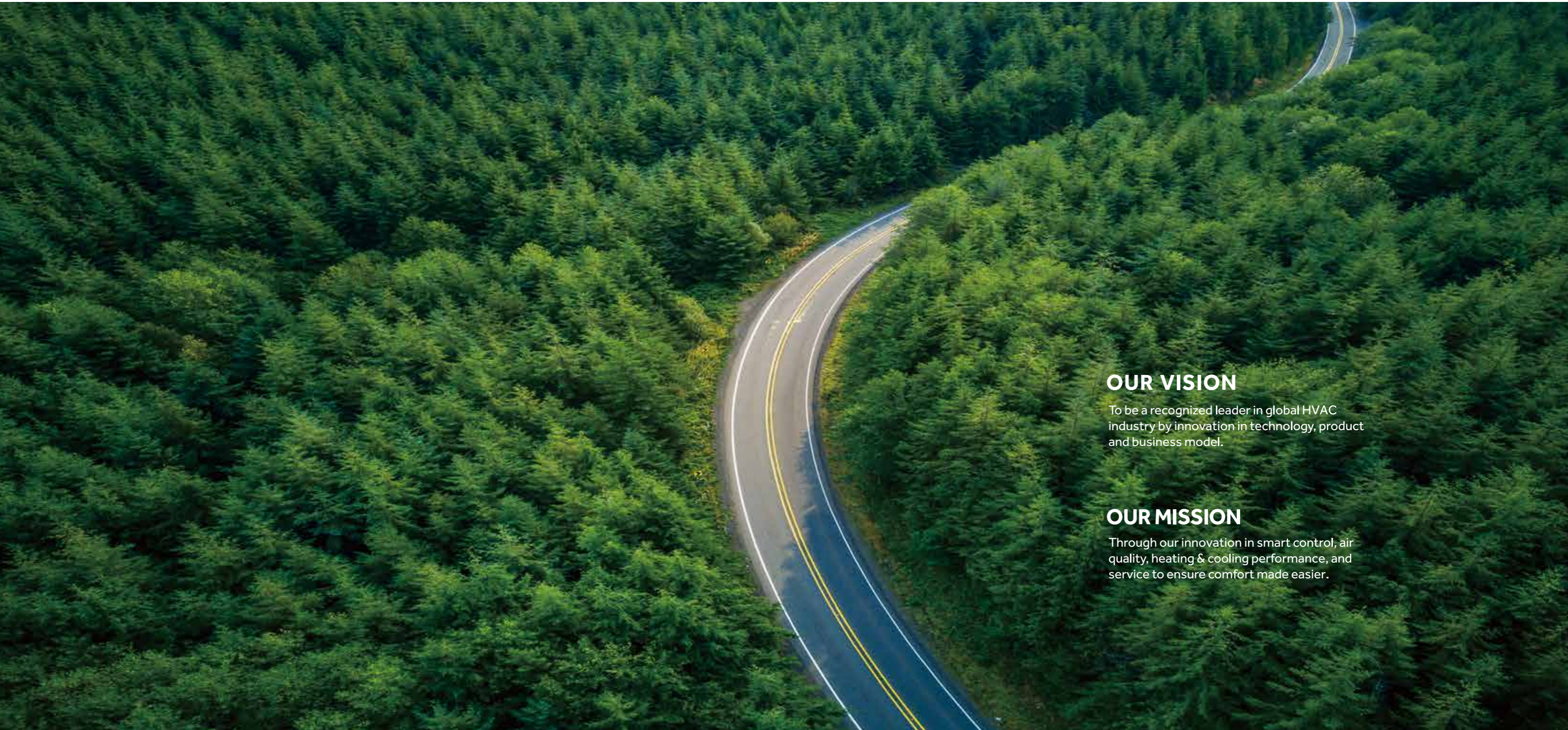
CONTACTS Tel: +86-532-8893-7937

WEBSITE www.haierac.com

EU

Haier AIR CONDITIONING

Professional Smart & Healthy Air Solutions Provider



OUR VISION

To be a recognized leader in global HVAC industry by innovation in technology, product and business model.

OUR MISSION

Through our innovation in smart control, air quality, heating & cooling performance, and service to ensure comfort made easier.

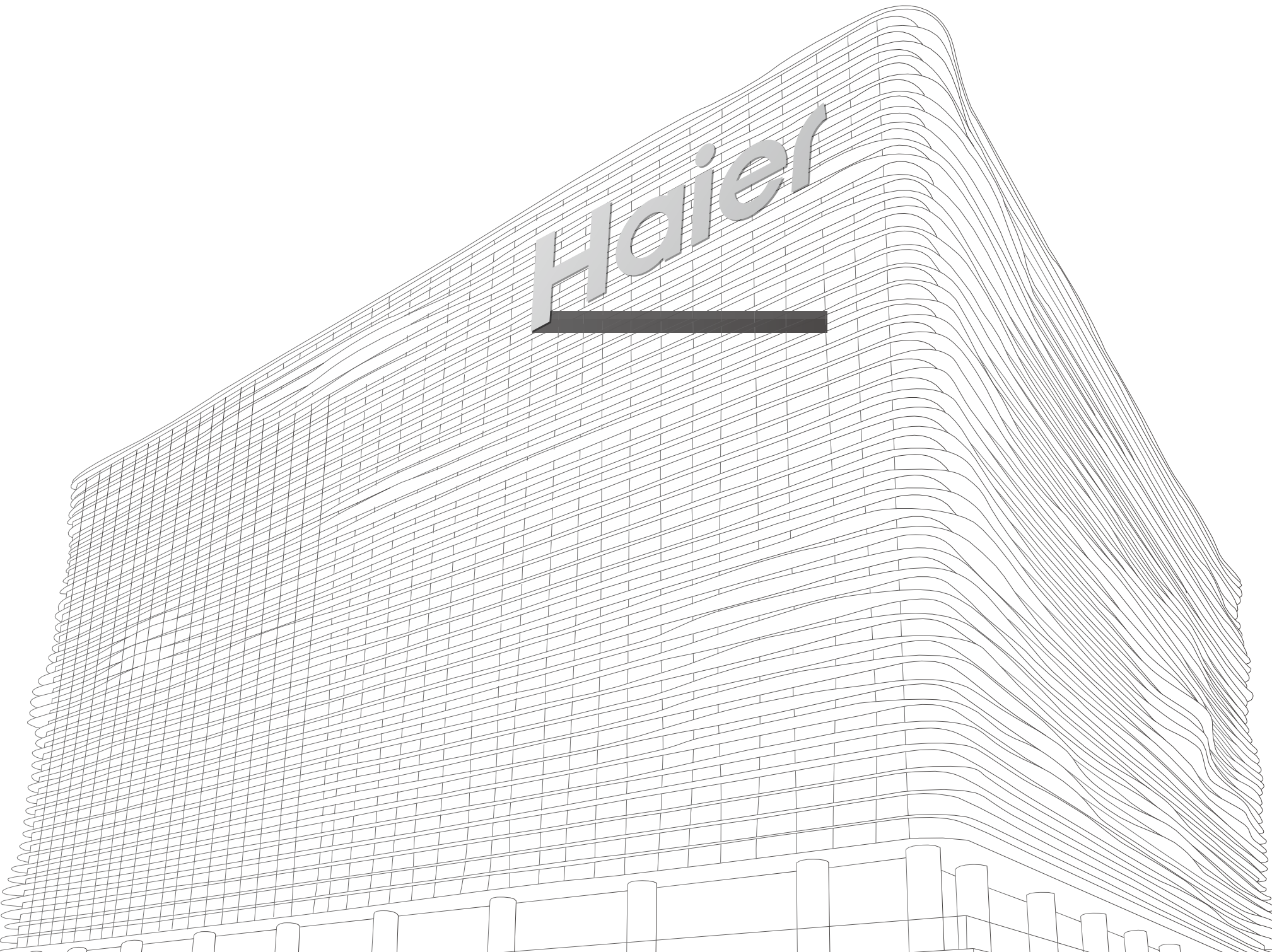
Haier BRAND STORY

The Internet era is a diverse and unconventional time, where one-size-fits-all products or solutions are simply not enough. Consumers want to be treated as individuals and respected for who they are.

Everyone wants their unique lifestyle acknowledged. That is why Haier listens closely to you in order to gain genuine understanding of what is going on in your life and what is on your mind. So each of you can get the smart home experience you deserve: be it simple, sophisticated, organized and enjoyable.

As a worldwide industry leader, Haier innovates beyond products and solutions, and turns the organization into a wholly connected platform. In doing so, internal and external resources are connected quickly and easily. We believe only by doing so, we can best meet our consumers' expectations in this rapidly evolving world.

Be part of the Haier network, create new possibilities.



Haier

CONTENTS

01 Haier GROUP /01

Haier Global Position	/01
Haier Global Network	/02

02 Haier AIR CONDITIONING /03

Haier AC Milestones	/03
Haier AC R&D Center	/05
Haier AC Manufacturing Capacity	/07
Haier AC Air Solutions	/09

03 AIR SOLUTIONS /11

Ultimate Health	/11
Ultimate Smart	/19
Ultimate Comfort	/23
Ultimate Fit	/27

04 PRODUCT LINEUP /41

Jade	/41
Flexis	/43
Flair Plus	/45
Pearl	/47
Tundra Plus	/49
Tide Plus	/51
Nebula Green-Nordic	/53
All Comfort	/55
Cabinet	/57
Portable	/59
Dehumidifier	/61

Haier GLOBAL POSITION



WORLD'S NO.1 MAJOR APPLIANCES BRAND

Haier achieved 11-year global No.1 in major household appliances by retail sales from 2009-2019, according to data from Euromonitor.



WORLD'S NO.1 SMART AC BRAND

Haier has been world's No.1 connected air conditioner brand (including smart ACs), with a market share of 29.4% by retail sales in 2019, according to data from Euromonitor.



FORTUNE GLOBAL 500

In 2019, with the global landing of the Smart Home ecosystem brand, Haier Smart Home was once again listed on the Fortune Global 500, moving up 51 ranks compared to last year.



FORTUNE'S MOST ADMIRABLE COMPANIES

Haier Smart Home was named one of Fortune's most admired companies in the world for 2019 and is the only appliance company from Asia to receive this award.



TOP 100 MOST VALUABLE BRANDS

Haier, the world's only IoT ecosystem brand on the list for two consecutive years.



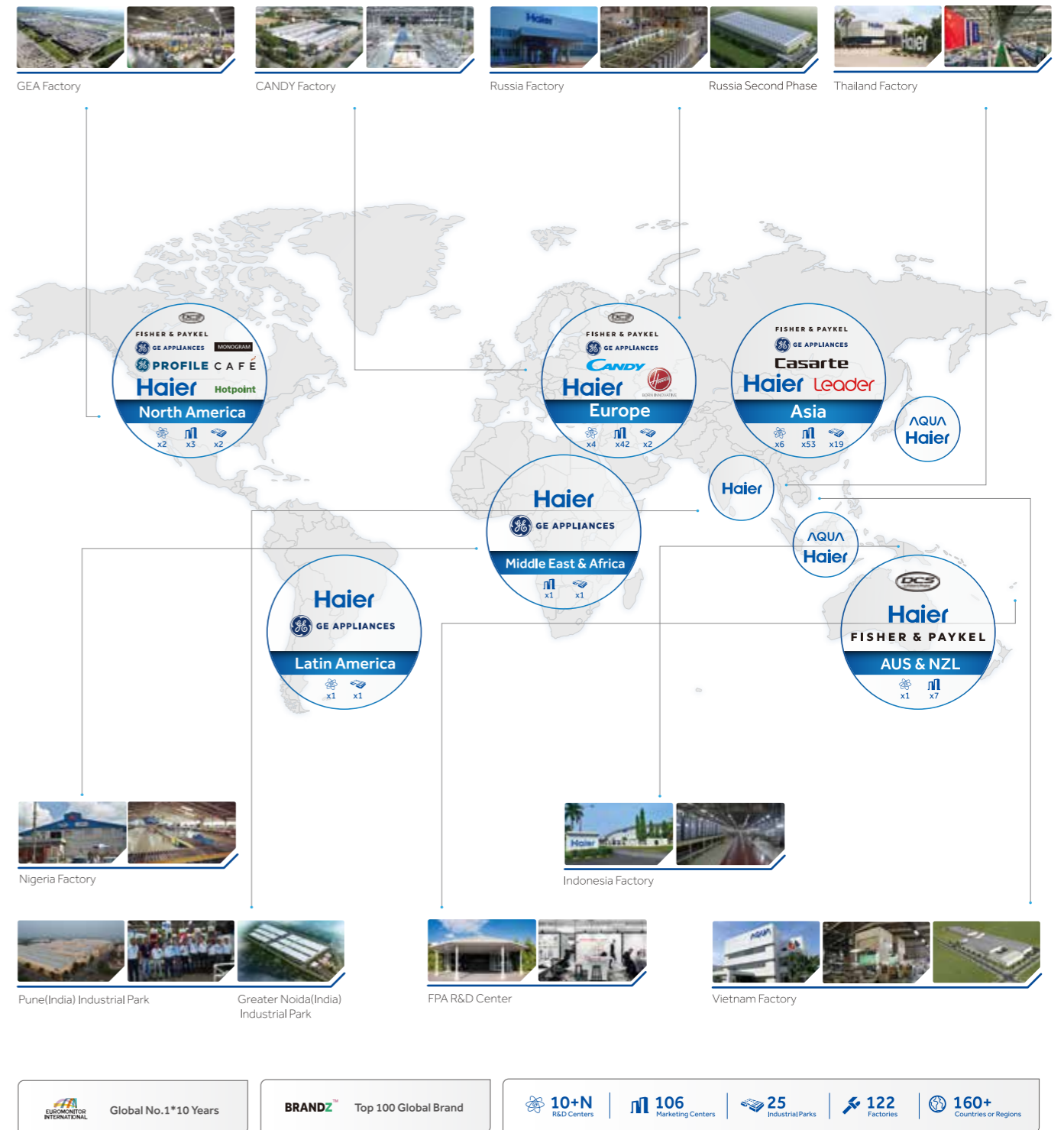
TOP 100 GLOBAL CHALLENGERS

Boston Consulting Group (BCG) released the list of "2018 top 100 global challengers", with 25 Chinese companies including Haier on the list.

Haier GLOBAL NETWORK

Haier owns 10+N R&D centers, 25 industrial parks, 122 factories, 106 marketing centers, and sales networks in over 160 countries and regions.

Haier boasts 7 major household appliance brands globally: Haier, Casarte, Leader, AQUA, Fisher&Paykel, GE Appliances and Candy. They constitute Haier's global brand cluster that provides the best experience for different consumer groups in different regions across the globe.



Haier AC MILESTONES



1984

Founded in Qingdao, China.



1993

Launched China's first inverter AC.



1994

Acquired ISO9001 certification.



1996

Launched China's full range of light commercial.



1999

Started exporting AC to the U.S.



2014

Established new AC R&D center.



2015

Established IoT-based AC factory.



2016

Acquired GE Appliances.



2018

Acquired Candy, and launched Jade series.



2020

4-running-year global No.1 connected AC brand.



Haier AC R&D CENTER



Haier & Mitsubishi
Joint Laboratory



Haier & Highly
Joint Laboratory

R&D Labs



Comfort Test



Rainfall Test



Performance Test



Safety Test



Noise Test



EMC Test



Snow Test



Sunshine Test



Reliability Test



Humidity Test



Double 85 Test



Drop Test

Global Certification



Haier AC MANUFACTURING CAPACITY

In China, Haier owns 8 air conditioner factories, 1 of which is MHAQ, a JV between Haier and Mitsubishi Heavy. Besides China, Haier runs another 8 overseas air conditioner factories. These factories have a total production capacity of over 27.2 million units per year.



Chongqing Wuhan Zhengzhou Hefei Dalian MHAQ Huangdao Jiaozhou



Algeria Nigeria Tunisia Pakistan



India Bangladesh Thailand Vietnam

Haier AIR SOLUTIONS



ULTIMATE HEALTH



ULTIMATE SMART



ULTIMATE COMFORT



ULTIMATE FIT



ULTIMATE HEALTH

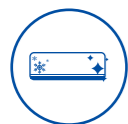
Always Clean, Always Cool

Air pollution is becoming widespread in emerging economies. Long exposure to polluted air threatens our health. When you breathe, pollutants such as PM2.5 are inhaled. They cause discomfort, and may lead to lung or heart disease. Besides, there are numerous allergen- & asthma-suffers worldwide who are vulnerable to pollen, mold spores, smoke, gases and chemicals. They need cleaner air to have the peace of mind. In 2020, the Covid-19 pandemic has brought large-scale disruption to our lives. The healthy air for us to breathe becomes more important to us than ever before.

Haier has been dedicated to healthy air innovations over the past years. With our advanced technologies, we keep our air conditioner clean all the time, and ensure the airflow blowing out is always healthy for us.



Maintain AC Clean



Self-Clean



56°C Steri-Clean



Self-Hygiene

Deliver Healthy Air



Puri-Clean



IFD Sterilization



Nano-Aqua Sterilization



UVC Sterilization

SELF-CLEAN

Freezes the evaporator with moisture in the air, and removes away dirt in rapid melting, ensuring the air that comes out of air conditioners is always healthy for you.



TECHNOLOGY

Dirt accumulates on the evaporator during operation. If not cleaned regularly, the dirt leads to the growth of mold and bacteria that compromise the air quality coming through the air conditioners. It also reduces air conditioning efficiency by 15-30%.

Cold Expansion Technology



Frost on the evaporator/condenser generates strong cold expansion force that can easily peel off dirt on the surface.

Express Washing Technology



Hydrophilic aluminum with smaller angle helps increase water drainage efficiency by 20%.

Anti-bacteria Technology



The coating on the aluminum contains silver nanoparticles that kill bacteria and inhibit their growth with up to 99% efficiency.

BENEFIT



Blowing Cleaner Air

The innovative technology kills bacteria and keeps evaporator clean.



Higher Energy Efficiency

With Self-Clean technology, air conditioner can always work at full cooling capacity to consume no extra energy.



Saving Cleaning Cost

Regular manual cleaning from service technicians simply cost a lot of money.

TUV Certification*



*The Verification on Cooling Expansion Rate & Defrosting Residual Rate of Air Conditioner with Self-Cleaning Technology is tested on model AS09FBBHRA by TUV Rheinland. The test report shows that the cooling expansion rate is 98.2% and defrosting residual rate is 0%.

*Haier has been the world's No.1 Self-Clean air conditioner brand for 2 years in a row with a market share of 43.4%. (Data from Euromonitor International as of Feb. 2020)

56°C STERI-CLEAN

Kills bacteria and viruses by heating the evaporator to 56°C high temperature for 30+ minutes.



TECHNOLOGY



Smart Frequency Control

It intelligently adjusts the compressor frequency to control the coil temperature and then maintains the evaporator at 56°C high temperature.



High Temperature Sterilization

Almost no bacteria and virus can survive at 56°C for 30+ minutes based on latest research. Once the heating process is done, the evaporator is cooled down instantly to achieve better sterilization performance.

BENEFIT



Delivering Healthier Air

56°C high temperature sterilization dries the components inside, and kills bacteria and virus, ensuring healthy air coming out of air conditioner.



Easy-to-Operate

The function is available via hOn APP and you can turn it on with just a simple tap.



Maintain AC Clean

Sterilization & Virus killing rates: >99.9%

SGS Certification*



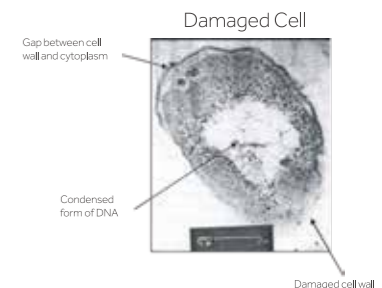
*The Verification of 56°C Sterilization with a Duration of 30 Minutes is tested on model AS09JBHRA/1U09MEJFRA by SGS. The test report shows that the measured temperature of evaporator surface and heat exchanger is higher than 56°C for over 30 minutes.

SELF-HYGIENE

Applies silver nanoparticles into components where air circulation flows through to kill molds and bacteria that threaten our health.



TECHNOLOGY



Silver Nanoparticles

Molds and bacteria are widespread in the room air. They compromise air quality and cause diseases. When air conditioner is turned on, fan blows, and then dirt is attached to the components of the indoor unit. These elements lead to the growth of mold and bacteria. Silver nanoparticles continuously release a low level of silver ions to provide protection against molds and bacteria.

Indoor fan. Integrated bottom frame with drain pan

BENEFIT



Blowing Healthier Air

Mold and bacteria are no longer able to grow on the components where air flows through, and silver ions bring no harm to human body. Thus, the air comes out of the air conditioner is always healthy.



Saving Cleaning Cost

Regular cleaning and sterilization is necessary to keep the surface inside clean. It saves the cost from sending for service technicians to do the cleaning.



Maintain AC Clean

It could effectively inhibit 6 kinds of molds; anti-mold class reaches 0 Grade (-None). The application of silver nanoparticles into components where air circulation passes through eliminates bacteria and mold with efficiency up to 99.9%.

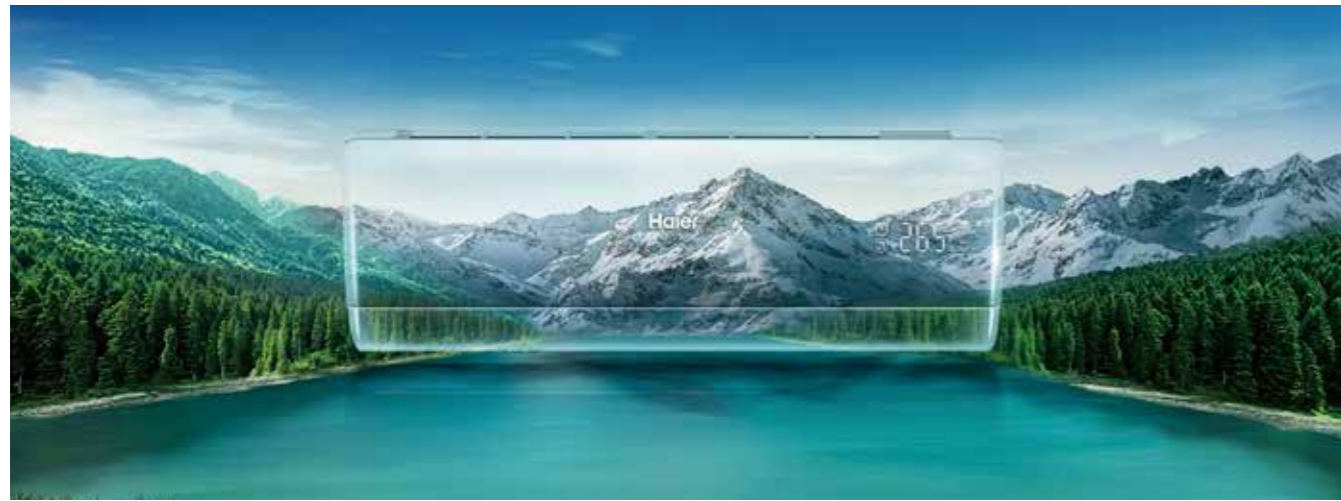
SGS Certification*



*Based on SGS Anti-Bacterial and Anti-Fungi Tests on samples of AS+GF30 Antibacterial, ABS-HRABS-RS (White), PP-HR-2037 (White), and PS-HG-3001 (White), which are applied into models with Self-Hygiene technology; the report shows that anti-bacterial efficiency is 99% and anti-fungi efficiency is 0-Grade.

PURI-CLEAN

Utilizes advanced IFD purification filter to remove all kinds of airborne pollutants and allergens with efficiency up to 99.9% while enjoying comfortable air conditioning.



TECHNOLOGY

Super IFD Filter



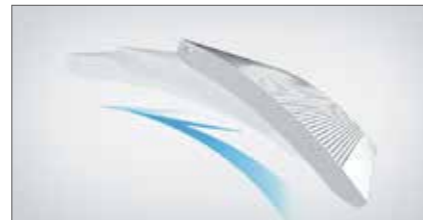
The advanced filter mesh comprises of 6818 ventilation holes with contact surface as large as 8180cm². When the air purification is turned on, static electricity is generated to absorb airborne hazards.

Smart Air Quality Sensor



High definition sensor installed in the air inlet detects dust and allergens in the air and displays real-time information on the screen. When the air quality is good, the indicator is green. When poor, it turns red to alert.

Convertible Design



The IFD filter is in the front of evaporator under normal conditions. When the room air quality is identified as poor and air purification is switched on, the IFD filter moves upwards to cover the whole air inlet.

BENEFIT

Powerful Air Purification



The CADR (clean air delivery rate) is up to 300m³/h on 18K models. It enables the air conditioner to clean the whole room air within 15 minutes, which is the same performance as professional air purifier.

TUV*/Intertek** Certification



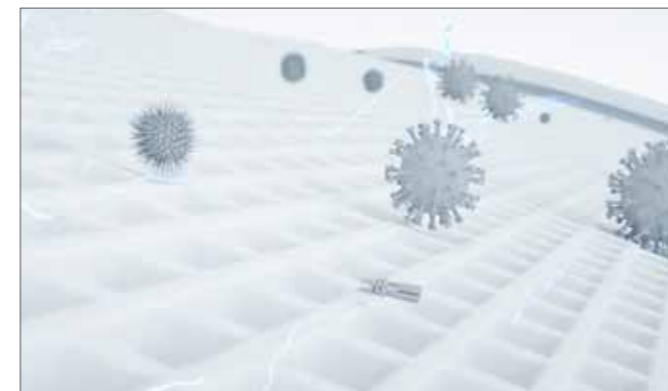
*The Verification on Air Purification Performance of Air Conditioner with IFD Purify Technology is tested on model AS18JD4HRA by TUV Rheinland. The test report shows that the CADR is 300m³/h.
**The Purifier Efficiency Test Report is tested on model AS35JBHRA-W by Intertek. The test report shows the air conditioner is capable of removing smoke, dust and pollen.

SUPER-IFD STERILIZATION

Absorbs and kills virus and bacteria in field with efficiency up to 99%.



TECHNOLOGY



IFD filters owe their exceptional efficiency to the creation of a powerful electrical attraction between airborne particles and the interior surfaces of the filter. To achieve this, the particles are given a positive or negative charge before they enter the filter.

BENEFIT



Deliver Healthy Air

Super-IFD Sterilization can efficiently kill airborne bacteria & mold and effectively filter out anaphylactogen such as pollen, dust (PM2.5 & PM0.3). Sterilization Rate: > 99%



Easy-to-Clean

The IFD filter is in detachable design. When the filter is dirty after long-time usage. It can be reused after washing instead of costing extra money to buy a new one.

SGS Certification*



*The Bacterial Removal Rate of Staphylococcus Albicans and Escherichia Coli is tested on model AS25JBHRA-W by SGS. The test report shows that the bacterial elimination rate is up to 99.3%.

NANO-AQUA STERILIZATION

Imagine that you are in the forest, and then take a deep breath. That's refreshing and cheerful. Haier Nano-Aqua Sterilization technology revives that feeling even when you stay indoors.



TECHNOLOGY



Water molecular in the air is ionized into 60mn positive and negative ions in the size of 5-20nm and being released into the air. The ionization draws out radicals significantly in the moisture air to further interact with odorous substance, so it can restore a fresh environment. Meanwhile, these ions bond together with bacteria and viruses to inhibit the spread of airborne hazards with efficiency up to 97.54%.

BENEFIT



Deliver Refreshing Air

Nano-aqua sterilization increases negative ions in the air that significantly improves the air quality to ensure your fresh breath.



Keep Comfortable Humidity

The ions effectively retains your skin moisture to keep your skin smooth and glowing. It gives your better way to enjoy higher quality of life.

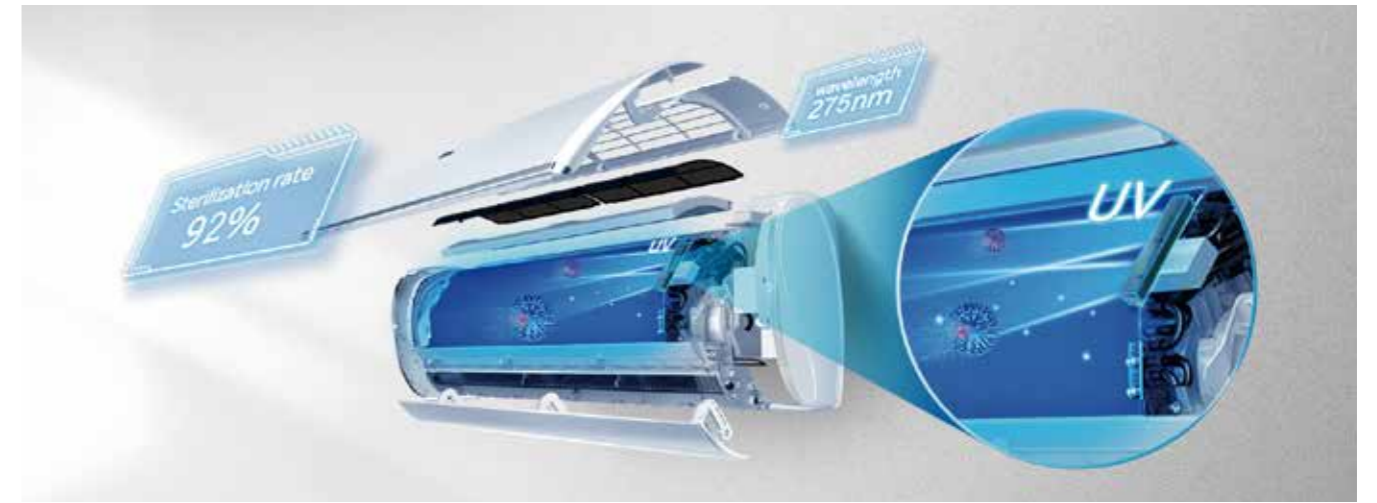
Intertek Certification*



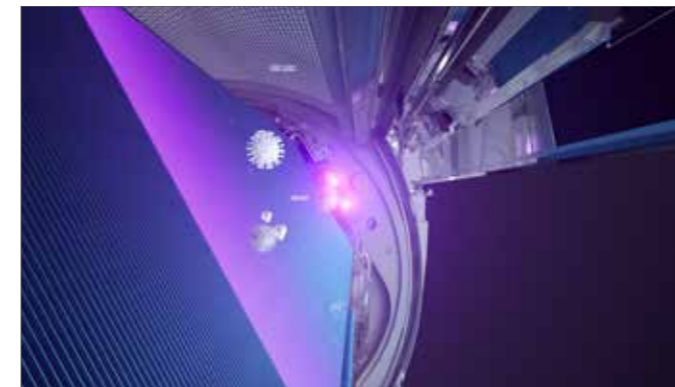
*The Bacteria Resistant Efficiency Testing is tested on model HSU-07HNF303/R2-G by Intertek. The test reports shows that the anti-bacteria efficiency of nano-aqua sterilization is up to 97.54%.

UVC STERILIZATION

The built-in LED UV light kills airborne hazards when the air circulates from air inlet, and delivers healthy air to your room.



TECHNOLOGY



The sterilization rate of single UV module : 99.9%

The ultraviolet from the sunlight contains three types: UVA, UVB and UVC. The third one is the shorter, more energetic wavelength of the spectrum ranging from 200-280nm, which is particularly efficient in destroying genetic material.

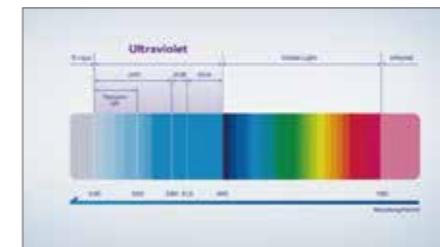
The built-in LED UV lights emit rays near the air inlet from the right to the left when the function is turned on. The room air circulates into the air conditioner from air inlet, and passes through the area where air circulation are directly exposed to UVC rays and the airborne hazards is instantly killed, ensuring healthy air delivered to your room.

BENEFIT



Safe, Reliable Operation

It eliminates the airborne hazards, with no harmful chemicals, no residuals, and no burden to the environment.



Efficient Sterilization

Haier UVC sterilization utilizes the wavelength between 265-275 nm, which is stronger in destroying the invisible pollutants in the air.

TUV Certification*



*The Verification on Bacteria Elimination Rate of Air Conditioner with UVC Sterilization Technology is tested on model AS09FBHRA by TUV Rheinland. The test report shows that the bacteria elimination rate of UVC sterilization technology is up to 99%. (The bacteria elimination rate of the whole machine is 92%.)

ULTIMATE SMART

Embrace the Connected Future

Recent years have seen the rapid development of telecommunication and IoT technology. Now there is few you can't do with just simple taps of your fingers on your smartphones. Smart appliances become the new household trend where Haier has taken the lead. With smart functions, you can customize the services on your needs, control your air conditioner from anywhere and anytime, and so much more.

Since earlier exporting to Italy in 2013, we are selling smart air conditioners to over 130 countries and regions, with sales volume exceeding 25mn units globally. As of February, 2020, Haier has been the world's No.1 connected AC brand for 4 years in a row with a market share of 29.4%, according to Euromonitor International, a world's leading market research agency.



Certified as the global No.1 connected AC brand, with a market share of 29.4% in terms of sales volume. (Data: Euromonitor, Feb., 2020)



Voice Control



WiFi Control (hOn)



Eco Sensor

VOICE CONTROL

Even though you have the control in the palm of your hand, you don't always have a hand to spare. With Haier smart air conditioners, you will be able to have hands-free voice control.



TECHNOLOGY

External Voice Module



The socket-shaped module bridges you and your air conditioner via your voice. Just talk to it and get things done when you don't find your remote controller.

Third-Party Speakers



Google Assistant and Amazon Alexa allows you to interact with your air conditioner in a more intuitive way using voice.

BENEFIT

Intuitively Hands-free Control

Here are some of the ways you talk to Alexa to control your Haier smart air conditioners.



Turn on/off the air conditioner.

Is the air conditioner on/off?

Set the air conditioner to 20 degree.

What is the temperature set on air conditioner?

Set the air conditioner to heat/cool/smart mode.

What mode is the air conditioner set?

Set the air conditioner to low/medium/high/auto speed.

What is the air conditioner speed?

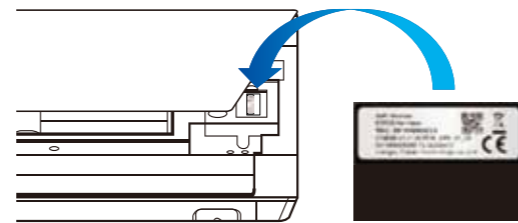
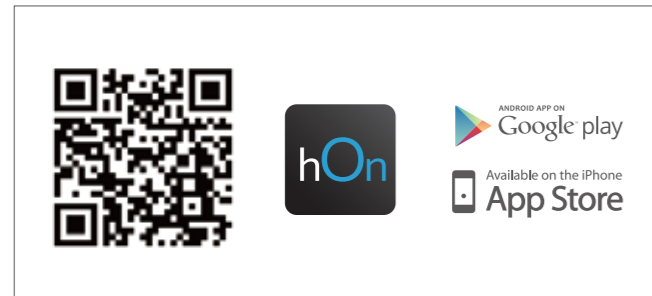
WI-FI CONTROL

Imagine when you're hurrying back to your home in hot summer, or lying on the sofa at home but cannot find the remote controller. What you want is easily accessible control to your air conditioner from anywhere and anytime with "hOn" on your phone or tablet.



TECHNOLOGY

WiFi Module



BENEFIT

Customized Service

Here are some of the functions you can enjoy with "hOn" app.

<p>Group Control Control multiple units with only one smart phone in hand.</p>	<p>Smart Reminder Sends regular notifications to user to clean the filter mesh.</p>	<p>Weekly Timer Sets temperature and fan speed for the week to come.</p>
<p>Error Alert Error code is shown on the app when it malfunctions.</p>	<p>Convenient Control Controls air conditioner from anywhere and anytime via network.</p>	<p>Custom Program One button for user DIY program</p>
<p>Voice In APP Built-in voice control makes convenience for the interaction.</p>	<p>Holiday Mode Setting holiday mode with one touch, just enjoy without worrying.</p>	<p>Energy Consumption Know your electricity consumption in real time</p>

ECO SENSOR

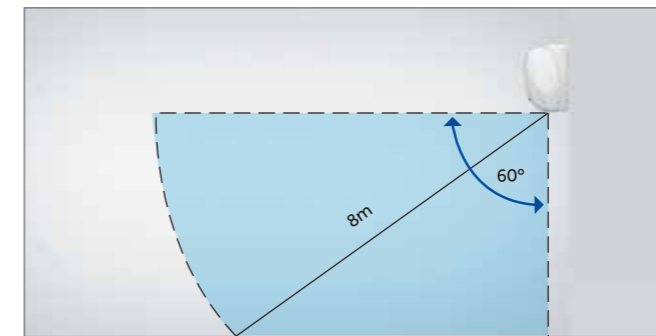
Detects the room air conditions and human activities in real-time monitoring. The air conditioner switches working mode based on detection to improve energy efficiency and enhance user experience.



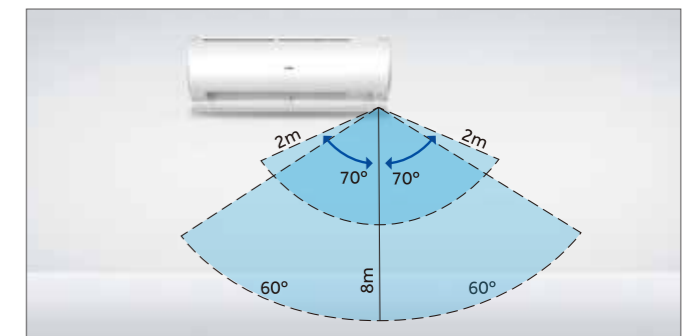
TECHNOLOGY

Exclusive Experience

Larger area detection and precise location of human body guarantee best experience to users. Light sensor detects any change in light intensity. When the night falls or light is turned off, the air conditioner is turned into "sleep" mode.



Vertical Sensing Area



Horizontal Sensing Area

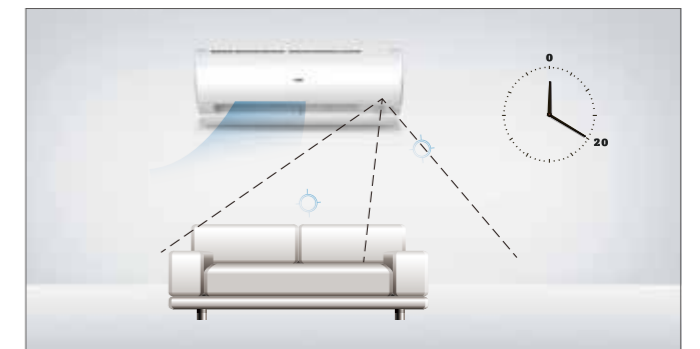
BENEFIT

Comfortable Experience



If you're identified as hot, cool air follows you.
If you're identified as cold, airflow avoids direct contact with you.

Energy-Saving



Eco sensor intelligently recognizes the location and movement of human beings in the room. When the room is empty, the air conditioner is switched to energy-saving mode in 20 minutes.

ULTIMATE COMFORT

Care for Your Experience

As the constant advancement of air conditioning innovations, basic cooling and heating can no longer meet the evolving consumer demands. Haier provides the most comfortable air conditioning experiences to users.

The PID inverter technology enables air conditioner to reach desired temperature much quicker, and maintain it precisely. It delivers faster, and more comfortable cooling performance. With innovative Triple Airflow, we utilize unique dual-blade air deflector that generates stronger, more concentrated airflow, and send it to every corner of your room. We also provide whispering air conditioning that is quiet to 15db (A), and so much more.



Coanda Plus Airflow



Inverter PLUS



Whispering Air

COANDA PLUS AIRFLOW

Makes the wind out of the air conditioner further, faster, and stronger, so that the cool air can be evenly delivered to every corner of the room.



TECHNOLOGY

The Coanda plus airflow, made up of 3 parts under micro-perspective, delivers air in a more intuitive way, and forms the all-space circulation.

Archimedean Spiral



The application of the dual-layer wind deflector structure creates the unique Archimedean spiral that directs the cold airflow to the ceiling with 35° elevation.

Venturi Effect



The optimal pressure expansion duct that is narrow inside and wide outside between dual layers where Venturi Effect occurs when air flows through the duct. Thus, the airflow is instantly released at high speed.

Supplemented Airflow



The airflow below the air deflector, absorbed tightly by the negative pressure generated by the faster airflow in-between, joins the main airflow and makes it even more stronger.

BENEFIT

Ceiling Cooling



When the cooling mode is turned on, the cool air rises with 35° elevation to the ceiling, so users can avoid direct exposure to the cold airflow blowing out of the air conditioner. It is evenly dispersed from the ceiling to the floor of your room in a much more faster and more comfortable way.

Carpet Heating



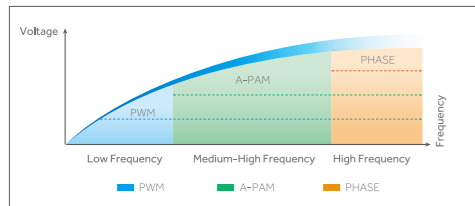
When the heating mode is turned on, the warm air is delivered directly to cover the floor. And then the warm air circulates to the whole space, and ensures the temperature is balanced at every corner of your room.

INVERTER PLUS

Integrates TLFM inverter control, PID inverter control and A-PAM inverter control to achieve smart control of the air conditioner, and in the meanwhile, maximize comfort, reliability and efficient performance.

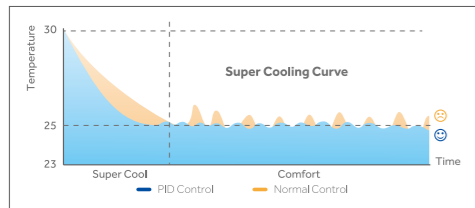


TECHNOLOGY



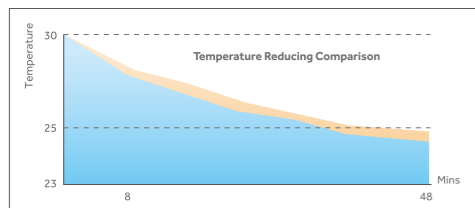
TLFM Inverter Control

TLFM, or Triple Linkage Frequency Modulation, inverter control utilizes 3 different voltage controls to manage the optimal operation efficiency at every frequency phase.



PID Inverter Control

PID, or Proportion Integration Differentiation, inverter control maximizes the working frequency before reaching the desired temperature, and after that, constantly makes real-time adjustments to match room air temperature with the desired temperature.



A-PAM Inverter Control

A-PAM, or Adoption-Pulse Amplitude Modulation, inverter control automatically adjusts DC bus voltage in accordance with the compressor load, to increase operation voltage range.

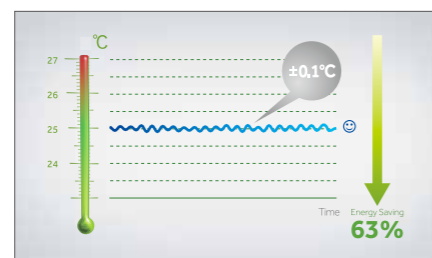
BENEFIT

Energy-Saving Performance



Inverter Plus achieves high working efficiency at all frequency phases. The cooling/heating performance is much faster and more powerful.

Cool, Comfortable Airflow



When the air conditioner is on, Inverter Plus reaches desired temperature much quicker than the conventional, and then maintain it with $\pm 0.1\text{C}$ precise temperature control.

Reliability



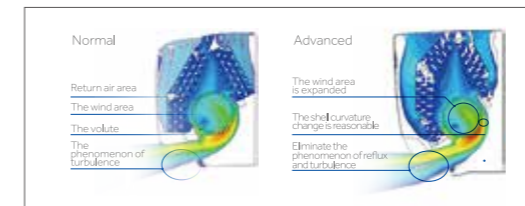
Inverter Plus adjusts DC voltage to achieve stable operation between 120V-264V with ideal voltage control. In remote areas, users can enjoy cool air despite power fluctuations.

WHISPERING AIR

Have you ever disturbed by a noisy air conditioner humming all day and all night? In hot summer, powerful air conditioning is simply not enough. Quiet operation is equally important to have the inner peace of mind. Just enjoy both of them with Haier whispering air quiet to 15dB(A).*

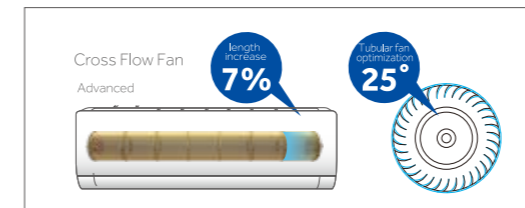


TECHNOLOGY



Optimized Air Duct

The air inlet is enlarged by 17%. The space between the evaporator and the front panel, and the air outlet are also enlarged. The optimization helps reduce the noise.



Optimized Cross Flow Fan

The inclination angle of the fan is optimized to 25° to make sure the airflow surrounded more concentrated and minimize fan noise.



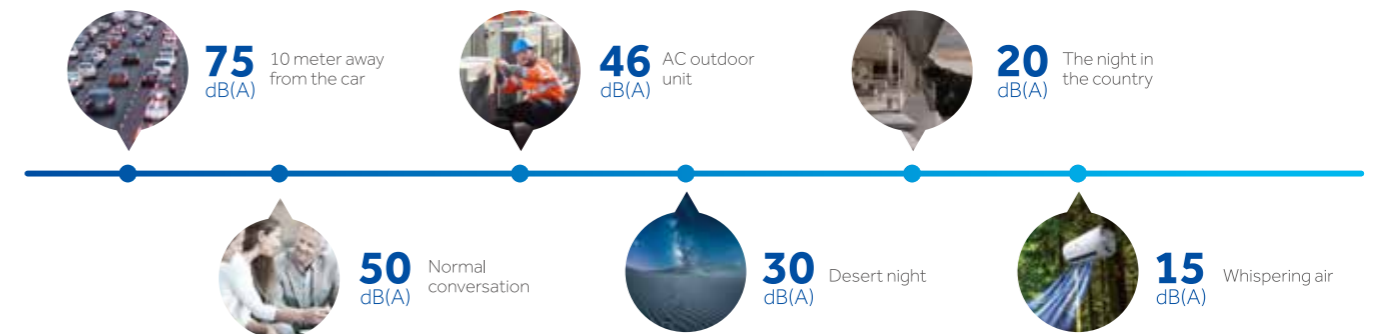
Special Electronic Control

The special electronic control system uses A-PAM DC inverter technology and DC fan motor. It provides high static pressure capability to minimize the operation noise of the indoor unit.

BENEFIT

Quiet, Cool Air

15dB(A) whispering air is even quieter than your imagination. While the air conditioner is working, you don't notice its existence. Therefore, you can concentrate on what you're doing.



ULTIMATE FIT

Flexibility with Ease

Easy installation concerns a lot to installers' working efficiency, and it means more income to them during peak season. Haier Flexis air conditioner is truly easy to install with various optimized components. The optimized wall mounting plate gives detailed information for quick installation. Extended kickstand facilitates the installation with larger operation space. Meanwhile, it's easier to dismantle and maintain the air conditioner with easy access fan motor and control board.



Easy Installation

EASY INSTALLATION



TECHNOLOGY



Positioning Specifications

Help fix the mounting plate and hang air conditioner at proper position.



Extended Kickstand

Makes the installation easy with larger operation area.



Wider Tubing Space

Saves installation time with larger operation space for piping and wiring.



Detachable Bottom Cover

Helps open the bottom to connect piping and wiring without screwdriver.



Easy Access Fan Motor

Simplifies dismantling and maintenance without disassembling evaporator.



Easy Access Control Board

Simplifies dismantling and maintenance without disassembling casing.

BENEFIT



Saving 50% of the installation time



Saving 80% of the maintenance time

Ultimate Health



Self-Clean

Freezes the evaporator with moisture in the air, and then removes away dirt in melting, ensuring clean air out of the air conditioner.



56°C Steri-Clean

Kills bacteria and viruses by heating the evaporator to 56 high temperature for 30 minutes.



Self-Hygiene

Applies silver nanoparticles into components where air circulation flows through to kill molds and bacteria that threaten our health.



Puri-Clean

Utilizes advanced iFD purification filter to remove all kinds of airborne pollutants and allergens with efficiency up to 99.9% while enjoy comfortable air conditioning.



iFD Sterilization

Absorbs and kills virus and bacteria in field charging with efficiency up to 99%.



UVC Sterilization

Emits UV light to sterilize the air passing through with efficiency up to 99.9%. The sterilization rate of the whole machine : 92% (single UV module : 99.9%).



Nano-Aqua Sterilization

Ionizes the air and releases positive and negative ions to sterilize the air with efficiency up to 97.5%.



3M Filter

Utilizes strong electrostatic charge on its surface to remove harmful micro-particles including dust, virus and bacteria to provide healthier environment.



Blue Fin

Helps condensate flow smoothly via its hydrophilic and anti-corrosive, properties. micro-particles including dust, virus and bacteria to provide healthier environment.

Ultimate Smart



Voice Control

Enjoy hands-free voice control via Haier smart air conditioners which are compatible with Amazon Alexa and Google Assistant.



WiFi Control

Download the Haier hOn App to an Apple or Android smart device, and link the equipment to the smart device for system control from whenever and wherever you want.



Eco Sensor

Detects the room air conditions and human activities in real-time monitoring, and switches working mode to achieve higher energy efficiency and provide better experience to users.

Ultimate Comfort



Coanda Plus Airflow

Makes the wind out of the air conditioner further, faster, and stronger, so that the cool air can be evenly delivered to every corner of the room.



A-PAM Control

Automatically adjusts DC bus voltage in accordance with the compressor load to increase operation voltage range.



PID Control

Maximizes the working frequency before reaching the desired temperature, and, after that, constantly makes real-time adjustments to match room air temperature with the desired temperature.



Turbo Cooling

The special control program allows the motor to work at a higher frequency. It enables users to enjoy a cool room within a much shorter time. micro-particles including dust, virus and bacteria to provide healthier environment.



Long Distance Airflow

The indoor unit get improved with better motor, optimized fan and air duct. It enables the air conditioner blows air as long as 20m. properties. micro-particles including dust, virus and bacteria to provide healthier environment.



Strong Airflow

With improved fan and air duct, the air conditioner supplies up to 25% more air volume than the conventional.



Warm Start

Blows no cold air when the unit is starting to work at heating mode, or change from cooling mode to heating mode.



-30°C Heating

Provides powerful heating performance in freezing winter with rotary compressor, DC motor, optimized bottom plate, electric heating wire and special programme, etc.



-15°C Heating

Provides powerful heating performance in cold winter with rotary compressor, etc.



-10°C Heating

Works at low ambient temperature with high frequency rotary compressor, optimized refrigerant system and special defrosting programme, etc.



DC Motor

Ensures reliable operation with much higher energy saving and lower operation sound.



DC Compressor

Reduces energy loss and maximize power input to achieve much higher energy efficiency.



Smart Defrosting

Works only when necessary to reduce energy waste, and provide better experience by reducing defrosting time.



Indoor 5-step Fan Speed

Works at powerful/high/middle/low/quiet speed to give users more choices in airflow control.



Double Horizontal Flaps

Supplies airflow in more directions to enhance user experience.



Auto Vertical Airflow

Moves vertically and works with horizontal flaps to achieve various air angle.



3-minute Protection

Helps compressor avoid unexpected damages to have longer life.



Auto Restart

Returns operation to previous air conditioner settings after a sudden power break.



88 Display

Shows clearly the real-time room temperature or desired temperature on the panel.



Auto Mode

Helps air conditioner choose cooling or heating automatically based on desired temperature and ambient temperature.



Low Watt Standby

Lowers stand-by power consumption from 8W to about 1W by optimizing control programme.



Constant 10°C Heating

Works when room temperature drops below 10°C to provide winter protection for pipes, unoccupied summer house, garage and basement.



Outdoor 7-step Fan Speed

Makes adjustments according to the control of ambient sensor and tubing sensor to optimize heat exchange performance and improve energy efficiency.



Golden Airflow

With unique air circulation system, conventional 10°C cold airflow is changed to 23°C golden airflow.



Whispering Air

Ensures your peace of mind with optimized fan, air duct and motor.



Precise Dehumidification

Controls your room air humidity at ideal level to keep the air clean and comfortable.





















Precise Temperature Control

Allows users to adjust temperature by 0.5 to achieve much more precise comfort and higher energy saving.



Dry Function

Adjusts fan speed automatically according to room air temperature to achieve either mild dehumidification or strong dehumidification.

Category	Latin America Products		Remote Controller
Inverter	All Comfort		
	Cabinet		
	Jade Super Match		
	Flexis Plus		
	Flair Plus		
	Pearl		
	Tundra Plus		
	Tide Plus		
	Nebula Green- Nordic		

	9K	12K	15K	18K	20K	24K	30K
						•	
						•	
	•	•		•			
	•	•	•	•	•	•	
	•	•	•	•	•	•	•
	•	•		•			
	•	•		•		•	
	•	•		•			

Jade Super Match

Haier Air Conditioning



Puri-Clean

Utilizes advanced IFD purification filter to remove all kinds of airborne pollutants and allergens with efficiency up to 99.9% while enjoy comfortable air conditioning.



56°C Steri-Clean

Kills bacteria and viruses by heating the evaporator to 56°C high temperature for 30 minutes.



Self-Hygiene

Applies silver nanoparticles into components where air circulation flows through to kill molds and bacteria that threaten our health.

Jade Super Match



Outdoor



Remote Controller

Model	Indoor		AS25S2SJ1FA-3	AS35S2SJ1FA-3	AS50S2SJ1FA-3
	Outdoor		1U25MECFRA-3	1U35MECFRA-3	1U50JECFRA-3
Cooling					
Capacity	Nominal (Min-Max)	Btu/h	8870(3410-13650)	11940(3410-13650)	17740(4770-20470)
	Nominal (Min-Max)	kW	2.6(1.0-4.0)	3.5(1.0-4.0)	5.2(1.4-6.0)
Energy Efficiency	SEER/EER		8.75/4.5	8.75/4.4	7.50/3.68
Energy Class			A+++	A+++	A++
Pdesign Capacity		kW	2.6	3.5	5.2
Power Input	Nominal (Min-Max)	kW	0.57(0.3-1.25)	0.79(0.3-1.35)	1.4(0.3-2.1)
Annual Energy Consumption		kWh/a	104	140	243
Operating Limits	Min-Max	°C	-10-43°C (out)	-10-43°C (out)	-10-43°C (out)
Heating					
Capacity	Nominal (Min-Max)	Btu/h	10920(3750-18420)	14330(4430-19790)	20470(4770-23540)
Capacity	Nominal (Min-Max)	kW	3.2(1.1-5.4)	4.2(1.3-5.8)	6.0(1.4-6.9)
Energy Efficiency	SCOP/COP (Mild)		5.1/4.8	5.1/4.7	4.6/4.0
	SCOP (Warm/Cold)		6.2/-	6.2/-	5.6/-
Energy Class	Mild/Warm/Cold		A+++/A+++/-	A+++/A+++/-	A++/A+++/-
Pdesign Capacity (-10°C)		kW	2.6	2.65	4.6
Power Input	Nominal (Min-Max)	kW	0.66(0.3-1.85)	0.89(0.3-1.85)	1.5(0.3-2.5)
Annual Energy Consumption		kWh/a	714	727	1400
Operating Limits		°C	-20-24°C (out)	-20-24°C (out)	-20-24°C (out)
Power Supply	Ph/V/Hz		1/220-240/50	1/220-240/50	1/220-240/50
	Position		outdoor	outdoor	outdoor
Indoor					
Net Dimension	W/D/H	mm	923/215/320	923/215/320	1050/235/350
Package Dimension	W/D/H	mm	1032/318/418	1032/318/418	1160/347/455
Net/Shipping Weight		kg	12/15.2	12/15.2	14.9/18.9
Air Flow (Cooling/Heating)	Max	m³/h	550	600	900
Sound Power Level	Cooling (Hi)	dB(A)	56	57	57
	Heating (Hi)	dB(A)	56	57	57
Sound Pressure Level	Cooling (Hi/Mid/Lo/So)	dB(A)	36/32/29/15	37/33/30/16	41/37/33/28
	Heating (Hi/Mid/Lo/So)	dB(A)	36/32/29/15	37/33/30/16	41/37/33/28
Moisture Removal		10-3m³/h	1.2	1.6	2
Outdoor					
Compressor			Panasonic	Panasonic	Mitsubishi
Net Dimension	W/D/H	mm	800/275/553	800/275/553	820/338/614
Package Dimension	W/D/H	mm	908/405/625	908/405/625	993/413/685
Net/Shipping Weight		kg	29.8/33.6	29.8/33.6	37.8/41.5
Air Flow (Cooling/Heating)	Max	m³/h	2000	2000	2500
Sound Power Level	Hi	dB(A)	61	62	63
Sound Pressure Level	Hi	dB(A)	48	49	51
Running Current	Max	A	8	8	11.1
Refrigerant Type	R410a/R32		R32	R32	R32
Refrigerant Charge	R410a/R32	g	740	740	950
Refrigerant Pipe	Liquid Side Diameter		6.35	6.35	6.35
	Gas Side Diameter		9.52	9.52	12.7
	Max Pipe Length/Height		20/10	20/10	25/15
	Max Pipe Length without Additional Charge		7	7	7
	Additional Charge		20	20	20

Key Features

PM 2.5
Purified Cleanliness

PM 2.5 Detection



Self-Clean



Precise Dehumidification



Whispering Air



WiFi
Wi-Fi Control (hOn)



Easy Installation



3D Airflow



Eco Sensor

Rating Conditions:
Cooling Indoor 27°C DB / 19°C WB, Cooling Outdoor 35°C DB / 24°C WB, Heating Indoor 20°C DB, Heating Outdoor 7°C DB / 6°C WB. (DB: Dry Bulb; WB: Wet Bulb)

For detailed information about ErP, please visit our page <http://www.haier.com/ecodesign>.

Flair Plus

Haier Air Conditioning



56°C Steri-Clean

Kills bacteria and viruses by heating the evaporator to 56°C high temperature for 30 minutes.



Nano-Aqua Sterilization

Ionizes the air and releases positive and negative ions to sterilize the air with efficiency up to 97.5%.



Self-Hygiene

Applies silver nanoparticles into components where air circulation flows through to kill molds and bacteria that threaten our health.

Flair Plus



Remote Controller



Wired Controller Transfer Kit



Wired Controller

Model	Indoor		AS10S2SF2FA-3	AS25S2SF2FA-3	AS35S2SF2FA-3	AS42S2SF2FA-3	AS50S2SF2FA-3	AS71S2SF2FA-3	AS10S2SF2FA-2	AS10S2SF2FA-1	
	Outdoor		/	1U25S2M1FA	1U35S2M1FA	1U42S2M1FA	1U50S2J2FA 1U50S2S2FA-1	1U71S2R2FA	AS10S2SF2FB	AS10S2SF2FA	
Cooling											
Capacity	Nominal (Min-Max)	Btu/h	Only indoorunit for multi	8870(2730-10920)	11940(3410-13650)	14330(4090-16380)	17740(4770-20470)	23890(7510-25603)	30710(8530-34120)	30710(8530-34120)	
	Nominal (Min-Max)	kW		2.6(0.8-3.2)	3.5(1.0-4.0)	4.2(1.2-4.8)	5.2 (1.4-6.0)	7.0(2.0-7.5)	9.0(2.5-10)	9.0(2.5-10)	
Energy Efficiency	SEER/EER	8.5/4.00		8.5/4.00	7.0/3.41	7.2/3.68	7.1/3.25	6.1/3.0	6.1/3.0		
Energy Class		A+++		A+++	A++	A++	A++	A++	A++		
Pdesign Capacity		kW		2.6	3.5	4.2	5.2	7	9.0	9.0	
Power Input	Nominal (Min-Max)	kW		0.65(0.2-1.5)	0.88(0.3-1.5)	1.23(0.4-1.7)	1.4(0.5-2.0)	2.1(0.7-2.5)	3.0(0.8-3.7)	3.0(0.8-3.7)	
Annual Energy Consumption		kWh/a		107	144	210	253	345	516	516	
Operating Limits	Min-Max	C		-20-43 C (out)	-20-43 C (out)	-20-43 C (out)	-20-43 C (out)	-20-43 C (out)	-20-43 C (out)	-20-43 C (out)	
Heating											
Capacity	Nominal (Min-Max)	Btu/h		Only indoorunit for multi	10920(2730-14330)	14330(3410-17740)	15010(4450-19790)	20470 (4770-21540)	27300(8190-29003)	32420(10230-35830)	32420(10230-35830)
Capacity	Nominal (Min-Max)	kW	3.2(0.8-4.2)		4.2(1.0-5.2)	4.4(1.3-5.8)	6.0 (1.4-6.9)	8.2(4-8.5)	9.5(3.0-10.5)	9.5(3.0-10.5)	
Energy Efficiency	SCOP/COP (Mild)		4.6/4.00		4.6/3.81	4.0/3.74	4.6/4.00	4.0/3.71	4.0/3.71	4.0/3.71	
	SCOP (Warm/Cold)		5.5/-		5.5/-	5.1/-	5.6/-	5.4/-	5.1/-	5.1/-	
Energy Class	Mild/Warm/Cold		A++(A+++/-)		A++(A+++/-)	A+(A+++/-)	A++(A+++/-)	A+(A+++/-)	A+(A+++/-)	A+(A+++/-)	
Pdesign Capacity (-10°C)		kW	2.4		2.8	3.6	4.6	5.6	7.2	7.2	
Power Input	Nominal (Min-Max)	kW	0.8(0.3-1.6)		1.1(0.5-1.6)	1.18(0.52-2.2)	1.5 (0.52-2.35)	2.1(0.7-2.9)	2.5(0.8-4.0)	2.5(0.8-4.0)	
Annual Energy Consumption		kWh/a	731		854	1260	1401	1959	2518	2518	
Operating Limits		C	-20-24 C (out)		-20-24 C (out)	-20-24 C (out)	-20-24 C (out)	-20-24 C (out)	-20-24 C (out)	-20-24 C (out)	
Power Supply	Ph/V/Hz		1/230/50		1/230/50	1/230/50	1/230/50	1/230/50	1/220-240(50/60)	1/220-240(50/60)	
	Position		outdoor	outdoor	outdoor	outdoor	outdoor	outdoor	outdoor		
Indoor											
Net Dimension	W/D/H	mm	870/196/301	870/196/301	870/196/301	870/196/301	1009/223/327	1126/230/337	1342*275*365 mm	1342*275*365 mm	
Package Dimension	W/D/H	mm	952/283/389	952/283/389	952/283/389	952/283/389	1100/314/420	1202/319/432	1418*402*478 mm	1418*402*478 mm	
Net/Shipping Weight		kg	9.5/12	9.5/12	9.5/12	9.5/12	12/15	15.2/18.2	21.0/25.5	21.0/25.5	
Air Flow (Cooling/Heating)	Max	m³/h	600	600	650	750	900	1100	1300	1300	
Sound Power Level	Cooling (Hi)	dB(A)	53	53	55	58	57	60	65	65	
	Heating (Hi)	dB(A)	53	53	55	58	57	60	65	65	
Sound Pressure Level	Cooling (Hi/Mid/Lo/So)	dB(A)	38/32/25/19	38/32/25/19	39/33/26/20	42/36/30/23	45/41/37/28	47/43/37/33	48/44/40/36	48/44/40/36	
	Heating (Hi/Mid/Lo/So)	dB(A)	38/32/25/19	38/32/25/19	39/33/26/20	42/36/30/23	45/41/37/28	47/43/37/33	48/44/40/36	48/44/40/36	
Moisture Removal		10-3m³/h	1.2	1.2	1.6	1.8	2	2.8	3.0	3.0	
Outdoor											
Compressor				Panasonic	HIGHLY	HIGHLY	Mitsubishi	Mitsubishi	Mitsubishi	Mitsubishi	
Net Dimension	W/D/H	mm		800/275/553	800/275/553	800/275/553	820/338/614	890/353/697	920/372/760	920/372/760	
Package Dimension	W/D/H	mm		908/405/625	908/405/625	908/405/625	993/413/685	1046/460/780	1036/478/820	1036/478/820	
Net/Shipping Weight		kg		29/31.5	31.5/34	31.5/34	37.8/41.5	45/50	60/65	60/65	
Air Flow (Cooling/Heating)	Max	m³/h		1900	2000	2100	2500	3000	3300	3300	
Sound Power Level	Hi	dB(A)		59	61	63	63	70	70	70	
Sound Pressure Level	Hi	dB(A)		47	48	50	51	57	60	60	
Running Current	Max	A		7.2	7.2	9.8	10.9	13	16.5	16.5	
Refrigerant Type				R32	R32	R32	R32	R32	R32	R32	
Refrigerant Charge		g		650	940	940	950	1300	1700	1700	
Refrigerant Pipe	Liquid Side Diameter			6.35	6.35	6.35	6.35	9.52	9.52	9.52	
	Gas Side Diameter			9.52	9.52	9.52	12.7	15.88	15.88	15.88	
	Max Pipe Length/Height			20/10	20/10	20/10	25/15	50/30	50/30	50/30	
	Max Pipe Length without Additional Charge			7	7	7	7	7	7	7	
	Additional Charge			20	20	20	20	45	45	45	

*-marked models are for Italy only, with no Self-Clean button on the controller.
No *-marked models are for EU except Italy, with Self-Clean button on the controller.

Key Features



Nano-Aqua Sterilization



Easy Installation



WIFI
Wi-Fi Control (hOn)



Whispering Air



Comfortable Sleep



3D Airflow



2-Way Piping Design



On-Off Card

Rating Conditions:
Cooling Indoor 27°C DB / 19°C WB, Cooling Outdoor 35°C DB / 24°C WB, Heating Indoor 20°C DB, Heating Outdoor 7°C DB / 6°C WB, (DB: Dry Bulb; WB: Wet Bulb)

For detailed information about ErP, please visit our page <http://www.haier.com/ecodesign>.



UVC Sterilization

Emits UV light to sterilize the air passing through with efficiency up to 99.9%. The sterilization rate of the whole machine : 92%(single UV module : 99.9%).



56°C Steri-Clean

Kills bacteria and viruses by heating the evaporator to 56 C high temperature for 30 minutes.



Self-Hygiene

Applies silver nanoparticles into components where air circulation flows through to kill molds and bacteria that threaten our health.

Flexis Plus



Model	Indoor		AS20S2SF1FA-MW3 AS20S2SF1FA-MB3		*AS24S2SF1FA-MB3 *AS24S2SF1FA-MW3 AS24S2SF1FA-BH AS24S2SF1FA-WH		*AS35S2SF1FA-MB3 *AS35S2SF1FA-MW3 AS35S2SF1FA-BH AS35S2SF1FA-WH		*AS42S2SF1FA-MB3 *AS42S2SF1FA-MW3		*AS50S2SF1FA-MB3 *AS50S2SF1FA-MW3 AS50S2SF1FA-BH AS50S2SF1FA-WH		*AS71S2SF1FA-MB3 *AS71S2SF1FA-MW3 AS71S2SF1FA-BH AS71S2SF1FA-WH	
	Outdoor		1U25S2M1FA	1U35S2M1FA	1U42S2M1FA	1U50S2J2FA 1U50S2S2J2FA-1	1U71S2R2FA							
Cooling														
Capacity	Nominal (Min-Max)	Btu/h		8870(2730-10920)	11940(3410-13650)	14330(4090-16380)	17740 (4770-20470)	23890(7510-25600)						
	Nominal (Min-Max)	kW		2.6(0.8-3.2)	3.5(1.0-4.0)	4.2(1.2-4.8)	5.2 (1.4-6.0)	7(2.2-7.5)						
Energy Efficiency	SEER/EER			8.5/4.00	8.5/4.00	7.0/3.41	7.2/3.68	7.1/3.23						
Energy Class			Only indoorunit	A+++	A+++	A++	A++	A++						
Pdesign Capacity		kW	for multi	2.6	3.5	4.2	5.2	7.0						
Power Input	Nominal (Min-Max)	kW		0.65(0.2-1.5)	0.88(0.3-1.5)	1.23(0.4-1.7)	1.4(0.5-2.0)	2.17(0.7-2.5)						
Annual Energy Consumption		kWh/a		107	144	210	253	345						
Operating Limits	Min-Max	C		-20-43 C (out)	-20-43 C (out)	-20-43 C (out)	-20-43 C (out)	-20-43 C (out)						
Heating														
Capacity	Nominal (Min-Max)	Btu/h		10920(2730-14330)	14330(3410-17740)	15010(4430-19790)	20470 (4770-23540)	27300(8190-29000)						
Capacity	Nominal (Min-Max)	kW		3.2(0.8-4.2)	4.2(1.0-5.2)	4.4(1.3-5.8)	6.0 (1.4-6.9)	8.0(2.4-8.5)						
Energy Efficiency	SCOP/COP (Mild)			4.6/4.00	4.6/3.81	4.0/3.74	4.6/4.00	4.0/3.71						
	SCOP (Warm/Cold)			5.5/-	5.5/-	5.1/-	5.6/-	5.4/-						
Energy Class	Mild/Warm/Cold		Only indoorunit	A++/A+++/-	A++/A+++/-	A+/A+++/-	A++/A+++/-	A+/A+++/-						
Pdesign Capacity (-10 C)		kW	for multi	2.4	2.8	3.6	4.6	5.6						
Power Input	Nominal (Min-Max)	kW		0.8(0.3-1.6)	1.1(0.5-1.6)	1.18(0.52-2.2)	1.5 (0.52-2.35)	2.16(0.7-2.9)						
Annual Energy Consumption		kWh/a		731	854	1260	1401	1959						
Operating Limits		C		-20-24 C (out)	-20-24 C (out)	-20-24 C (out)	-20-24 C (out)	-20-24 C (out)						
Power Supply	Ph/V/Hz			1/230/50	1/230/50	1/230/50	1/230/50	1/230/50						
	Position			outdoor	outdoor	outdoor	outdoor	outdoor						
Indoor														
Net Dimension	W/D/H	mm		856/197/300	856/197/300	856/197/300	856/197/300	999/225/323	1115/235/343					
Package Dimension	W/D/H	mm		952/283/389	952/283/389	952/283/389	952/283/389	1100/314/420	1202/319/432					
Net/Shipping Weight		kg		9.5/12	9.5/12	9.5/12	9.5/12	12/15	15.2/18.2					
Air Flow (Cooling/Heating)	Max	m³/h		600	600	650	750	900	1100					
Sound Power Level	Cooling (Hi)	dB(A)		53	53	55	58	57	60					
	Heating (Hi)	dB(A)		53	53	55	58	57	60					
Sound Pressure Level	Cooling (Hi/Mid/Lo/So)	dB(A)		38/32/25/16	38/32/25/16	39/33/26/17	42/36/30/23	45/41/37/28	47/43/37/33					
	Heating (Hi/Mid/Lo/So)	dB(A)		38/32/25/19	38/32/25/19	39/33/26/20	42/36/30/23	45/41/37/28	47/43/37/33					
Moisture Removal		10-3m³/h		1.2	1.2	1.6	1.8	2	2.8					
Outdoor														
Compressor				Panasonic	HIGHLY	HIGHLY	Mitsubishi	Mitsubishi						
Net Dimension	W/D/H	mm		800/275/553	800/275/553	800/275/553	820/338/614	890/353/697						
Package Dimension	W/D/H	mm		908/405/625	908/405/625	908/405/625	993/413/685	1046/460/780						
Net/Shipping Weight		kg		29/31.5	31.5/34	31.5/34	37.8/41.5	45/50						
Air Flow (Cooling/Heating)	Max	m³/h		1900	2000	2100	2500	3000						
Sound Power Level	Hi	dB(A)		59	61	63	63	70						
Sound Pressure Level	Hi	dB(A)		47	48	50	51	57						
Running Current	Max	A		7.2	7.2	9.8	10.9	13						
Refrigerant Type				R32	R32	R32	R32	R32						
Refrigerant Charge		g		650	940	940	950	1300						
Refrigerant Pipe	Liquid Side Diameter			6.35	6.35	6.35	6.35	9.52						
	Gas Side Diameter			9.52	9.52	9.52	12.7	15.88						
	Max Pipe Length/Height			20/10	20/10	20/10	25/15	50/30						
	Max Pipe Length without Additional Charge			7	7	7	7	7						
	Additional Charge			20	20	20	20	45						

*-marked models are for Italy only, with 4 concealed signal-lights at the bottom right and no Self-Clean button on the controller.
No *-marked models are for EU except Italy, with concealed 88-light in the middle.

Key Features



Self-Clean



Eco Sensor



Easy Installation



Whispering Air



WiFi
Wi-Fi Control (hOn)



On-Off Card



3D Airflow



2-Way
Piping Design

Rating Conditions:
Cooling Indoor 27°C
DB / 19°C WB. Cooling
Outdoor 35°C DB /
24°C WB. Heating
Indoor 20°C DB.
Heating Outdoor 7°C
DB / 6°C WB. (DB: Dry
Bulb; WB: Wet Bulb)

For detailed
information about ErP,
please visit our page
<http://www.haier.com/ecodesign>.



Coanda Plus Airflow

Makes the wind out of the air conditioner further, faster, and stronger, so that the cool air can be evenly delivered to every corner of the room.



56°C Steri-Clean

Kills bacteria and viruses by heating the evaporator to 56 C high temperature for 30 minutes.



UVC Sterilization

Emits UV light to sterilize the air passing through with efficiency up to 99.9%. The sterilization rate of the whole machine : 92%(single UV module : 99.9%).

Pearl



Outdoor



Remote Controller

Model	Indoor		AS25PBAHRA	AS35PBAHRA	AS50PDAHRA
	Outdoor		1U25YEGFRA	1U35YEGFRA	1U50MEGFRA
Cooling					
Capacity	Nominal (Min-Max)	Btu/h	8870(2730-10238)	11920(2730-12286)	17060(4430-19790)
	Nominal (Min-Max)	kW	2.6(0.8-3.0)	3.2(0.8-3.6)	5.0(1.3-5.8)
Energy Efficiency	SEER/EER		6.1/3.23	6.1/3.23	6.1/3.23
Energy Class			A++	A++	A++
Pdesign Capacity		kW	2.6	3.2	5.0
Power Input	Nominal (Min-Max)	kW	0.8(0.3-1.2)	0.99(0.3-1.6)	1.55(0.4-2.0)
Annual Energy Consumption		kWh/a	149	184	287
Operating Limits	Min-Max	C	-10-43 C (out)	-10-43 C (out)	-10-43 C (out)
Heating					
Capacity	Nominal (Min-Max)	Btu/h	9555(2730-10920)	11603(2730-14330)	17740(4780-20480)
Capacity	Nominal (Min-Max)	kW	2.8(0.8-3.2)	3.4(0.8-4.2)	5.2(1.4-6.0)
Energy Efficiency	SCOP/COP (Mild)		4.0/3.71	4.0/3.71	4.0/3.71
	SCOP (Warm/Cold)		5.1/-	5.1/-	5.1/-
Energy Class	Mild/Warm/Cold		A+/A+++/-	A+/A+++/-	A+/A+++/-
Pdesign Capacity (-10 C)		kW	2.4	2.8	4.6
Power Input	Nominal (Min-Max)	kW	0.75(0.3-1.4)	0.92(0.3-1.6)	1.40(0.5-2.5)
Annual Energy Consumption		kWh/a	840	980	1610
Operating Limits		C	-15-24 C (out)	-15-24 C (out)	-15-24 C (out)
Power Supply	Ph/V/Hz		1/220-240/50	1/220-240/50	1/220-240/50
	Position		outdoor	outdoor	outdoor
Indoor					
Net Dimension	W/D/H	mm	805/200/290	805/200/290	975/220/320
Package Dimension	W/D/H	mm	874/270/363	874/270/363	1050/301/397
Net/Shipping Weight		kg	8.3/10.5	8.3/10.5	11.6/14.4
Air Flow (Cooling/Heating)	Max	m³/h	550	600	900
Sound Power Level	Cooling (Hi)	dB(A)	54	56	57
	Heating (Hi)	dB(A)	54	56	57
Sound Pressure Level	Cooling (Hi/Mid/Lo/So)	dB(A)	37/32/28/18	37/33/29/19	44/40/35/28
	Heating (Hi/Mid/Lo/So)	dB(A)	37/32/28/18	37/33/29/19	44/40/35/28
Moisture Removal		10-3m³/h	1	1.3	2
Outdoor					
Compressor			HIGHLY	HIGHLY	HIGHLY
Net Dimension	W/D/H	mm	700/245/544	700/245/544	800/275/553
Package Dimension	W/D/H	mm	845/320/593	845/320/593	908/405/625
Net/Shipping Weight		kg	22.8/25.3	23.5/26	32.7/36.5
Air Flow (Cooling/Heating)	Max	m³/h	2100	2100	2500
Sound Power Level	Hi	dB(A)	62	63	65
Sound Pressure Level	Hi	dB(A)	49	50	53
Running Current	Max	A	6.2	7.1	11.3
Refrigerant Type	R410a/R32		R32	R32	R32
Refrigerant Charge	R410a/R32	g	520	530	900
Refrigerant Pipe	Liquid Side Diameter		6.35	6.35	6.35
	Gas Side Diameter		9.52	9.52	12.7
	Max Pipe Length/Height		20/10	20/10	25/15
	Max Pipe Length without Additional Charge		5	5	5
	Additional Charge		20	20	20

Key Features



Coanda Plus Airflow



Self-Clean



56°C Steri-Clean



UVC Sterilization



Wi-Fi Control (hOn)



Easy Installation

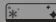


Rating Conditions:
Cooling Indoor 27°C DB / 19°C WB, Cooling Outdoor 35°C DB / 24°C WB, Heating Indoor 20°C DB, Heating Outdoor 7°C DB / 6°C WB, (DB: Dry Bulb; WB: Wet Bulb)

For detailed information about ErP, please visit our page <http://www.haier.com/ecodesign>.

Tundra Plus

Haier Air Conditioning



- 
Self-Clean
 Freezes the evaporator with moisture in the air, and removes away dirt in melting, to ensure clean air out of Haier air conditioners.
- 
Comfortable Sleep
 Provides maximum comfort and energy saving during your good night's sleep.
- 
WiFi Control (hOn)
 Download the Haier hOn App to an Apple or Android smart device, and link the equipment to the smart device for system control from whenever and wherever you want.

Tundra Plus



Model	Indoor		*AS25TADHRA-2 AS25TADHRA-CLC	*AS35TADHRA-2 AS35TADHRA-CLC	AS50TDDHRA-CLC	AS68TEDHRA-CLC
	Outdoor		1U25YEEFRA	1U35MEEFRA	1U50MEGFRA	1U68REEFRA
Cooling						
Capacity	Nominal (Min-Max)	Btu/h	8870(2730-11600)	12280(3410-13650)	17060(4430-19790)	23880(7500-29000)
	Nominal (Min-Max)	kW	2.6(0.8-3.4)	3.6(1.0-4.0)	5.0(1.3-5.8)	7.0(2.2-8.5)
Energy Efficiency	SEER/EER		6.2/3.23	6.4/3.23	6.1/3.41	7.1/3.23
Energy Class			A++	A++	A++	A++
Pdesign Capacity		kW	2.6	3.6	5.0	7.0
Power Input	Nominal (Min-Max)	kW	0.8(0.3-1.2)	1.11(0.30-1.50)	1.46(0.40-2.00)	2.16(0.70-2.90)
Annual Energy Consumption		kWh/a	147	197	287	350
Operating Limits	Min-Max	C	-10-43 C (out)	-10-43 C (out)	-10-43 C (out)	-10-43 C (out)
Heating						
Capacity	Nominal (Min-Max)	Btu/h	9890(3410-12970)	12620(3750-15690)	17740(4770-20470)	27640(8190-34120)
Capacity	Nominal (Min-Max)	kW	2.9(1.0-3.8)	3.7(1.1-4.6)	5.2(1.4-6.0)	8.1(2.4-10.0)
Energy Efficiency	SCOP/COP (Mild)		4.1/3.71	4.1/3.71	4.0/3.71	4.0/3.71
	SCOP (Warm/Cold)		5.1/-	5.1/-	5.1/-	5.1/-
Energy Class	Mild/Warm/Cold		A+/A++/	A+/A++/-	A+/A++/-	A+/A++/-
Pdesign Capacity (-10 C)		kW	2.4	3.2	4.6	5.6
Power Input	Nominal (Min-Max)	kW	0.78(0.3-1.4)	0.99(0.40-1.50)	1.40(0.52-2.5)	2.18(0.70-2.90)
Annual Energy Consumption		kWh/a	819	1092	1610	1963
Operating Limits		C	-15-24 C (out)	-15-24 C (out)	-15-24 C (out)	-15-24 C (out)
Power Supply	Ph/V/Hz		1/230/50	1/230/50	1/230/50	1/230/50
	Position		outdoor	outdoor	outdoor	outdoor
Indoor						
Net Dimension	W/D/H	mm	820×195×280	820/195/280	1008/225/318	1125/240/335
Package Dimension	W/D/H	mm	909×279×355	909/279/355	1085/329/403	1206/342/418
Net/Shipping Weight		kg	8.4/10.5	8.4/10.5	11.6/14.4	14/17.5
Air Flow (Cooling/Heating)	Max	m³/h	500	550	900	1200
Sound Power Level	Cooling (Hi)	dB(A)	53	55	57	60
	Heating (Hi)	dB(A)	53	55	57	60
Sound Pressure Level	Cooling (Hi/Mid/Lo/So)	dB(A)	37/32/28/20	38/33/29/21	44/40/35/28	47/43/37/30
	Heating (Hi/Mid/Lo/So)	dB(A)	37/32/28/20	38/33/29/21	44/40/35/28	47/43/37/30
Moisture Removal		10-3m³/h	1.2	1.6	2.0	2.8
Outdoor						
Compressor			HIGHLY	HIGHLY	HIGHLY	HIGHLY
Net Dimension	W/D/H	mm	700/245/544	800/275/553	800/275/553	890/353/697
Package Dimension	W/D/H	mm	845/320/593	908/405/625	908/405/625	1046/460/780
Net/Shipping Weight		kg	22.7/25.2	27/30.3	32.7/36.5	47.3/52.3
Air Flow (Cooling/Heating)	Max	m³/h	2100	2000	2500	2900
Sound Power Level	Hi	dB(A)	62	63	65	65
Sound Pressure Level	Hi	dB(A)	47	48	53	52
Running Current	Max	A	6.2	6.7	11.3	13
Refrigerant Type	R410a/R32		R32	R32	R32	R32
Refrigerant Charge	R410a/R32	g	550	620	900	1200
Refrigerant Pipe	Liquid Side Diameter		6.35	6.35	6.35	6.35
	Gas Side Diameter		9.52	9.52	12.7	12.7
	Max Pipe Length/Height		20/10	20/10	25/15	25/15
	Max Pipe Length without Additional Charge		5	5	7	7
	Additional Charge		20	20	20	20

*-marked models are for Italy only, with no Self-Clean button on the controller.
 No *-marked models are for EU except Italy, with Self-Clean button on the controller.

Key Features



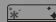


Rating Conditions:
 Cooling Indoor 27°C
 DB / 19°C WB. Cooling
 Outdoor 35°C DB /
 24°C WB. Heating
 Indoor 20°C DB.
 Heating Outdoor 7°C
 DB / 6°C WB. (DB: Dry
 Bulb; WB: Wet Bulb)

For detailed
 information about ErP,
 please visit our page
<http://www.haier.com/ecodesign>.

Tide Plus

Haier Air Conditioning



- 
Self-Clean
 Freezes the evaporator with moisture in the air, and removes away dirt in melting, to ensure clean air out of Haier air conditioners.
- 
Comfortable Sleep
 Provides maximum comfort and energy saving during your good night's sleep.
- 
WiFi Control (hOn)
 Download the Haier hOn App to an Apple or Android smart device, and link the equipment to the smart device for system control from whenever and wherever you want.

Tide Plus



Outdoor

Remote Controller

Model	Indoor		AS25THMHRA-C	AS35TAMHRA-C	AS50TDMHRA-C	AS68TEMHRA-C
	Outdoor		1U25YEFFRA-C	1U35YEFFRA-C	1U50MEMFRA-C	1U68RENFRA-C
Cooling						
Capacity	Nominal (Min-Max)	Btu/h	8870(2730-10238)	11920(2730-12286)	17060(4430-19790)	23880(7500-29000)
	Nominal (Min-Max)	kW	2.6(0.8-3.0)	3.2(0.8-3.6)	5.0(1.3-5.8)	7.0(2.2-8.5)
Energy Efficiency	SEER/EER		6.1/3.23	6.1/3.01	6.1/3.41	7.1/3.23
Energy Class			A++	A++	A++	A++
Pdesign Capacity		kW	2.6	3.2	5.0	7.0
Power Input	Nominal (Min-Max)	kW	0.8(0.3-1.2)	1.06(0.3-1.6)	1.46(0.40-2.00)	2.16(0.70-2.90)
Annual Energy Consumption		kWh/a	149	184	287	350
Operating Limits	Min-Max	C	-10-43 C (out)	-10-43 C (out)	-10-43 C (out)	-10-43 C (out)
Heating						
Capacity	Nominal (Min-Max)	Btu/h	9555(2730-10920)	11603(2730-14330)	17740(4770-20470)	27640(8190-34120)
Capacity	Nominal (Min-Max)	kW	2.8(0.8-3.2)	3.4(0.8-4.2)	5.2(1.4-6.0)	8.1(2.4-10.0)
Energy Efficiency	SCOP/COP (Mild)		4/3.71	4/3.40	4.0/3.71	4.0/3.71
	SCOP (Warm/Cold)		5.1/-	5.1/-	5.1/-	5.1/-
Energy Class	Mild/Warm/Cold		A+/A++/-	A+/A++/-	A+/A++/-	A+/A++/-
Pdesign Capacity (-10 C)		kW	2.4	2.8	4.6	5.6
Power Input	Nominal (Min-Max)	kW	0.75(0.3-1.4)	1.0(0.3-1.6)	1.40(0.52-2.5)	2.18(0.70-2.90)
Annual Energy Consumption		kWh/a	840	980	1610	1963
Operating Limits		C	-15-24 C (out)	-15-24 C (out)	-15-24 C (out)	-15-24 C (out)
Power Supply	Ph/V/Hz		1/220-240/50	1/220-240/50	1/220-240/50	1/230/50
	Position		outdoor	outdoor	outdoor	outdoor
Indoor						
Net Dimension	W/D/H	mm	820/195/280	820/195/280	1008/225/318	1125/240/335
Package Dimension	W/D/H	mm	909/279/355	909/279/355	1085/329/403	1206/342/418
Net/Shipping Weight		kg	8.2/10.5	8.2/10.5	11.6/14.4	14/17.5
Air Flow (Cooling/Heating)	Max	m ³ /h	500	550	900	1200
Sound Power Level	Cooling (Hi)	dB(A)	54	56	57	60
	Heating (Hi)	dB(A)	54	56	57	60
Sound Pressure Level	Cooling (Hi/Mid/Lo/So)	dB(A)	37/33/29/19	38/34/29/20	44/40/35/28	47/43/37/30
	Heating (Hi/Mid/Lo/So)	dB(A)	37/33/29/19	38/34/29/20	44/40/35/28	47/43/37/30
Moisture Removal		10-3m ³ /h	1	1.4	2.0	2.8
Outdoor						
Compressor			HIGHLY	HIGHLY	HIGHLY	HIGHLY
Net Dimension	W/D/H	mm	700/245/544	700/245/544	800/275/553	890/353/697
Package Dimension	W/D/H	mm	845/320/593	845/320/593	908/405/625	1046/460/780
Net/Shipping Weight		kg	22.8/25.3	23.5/26	32.7/36.5	47.3/52.3
Air Flow (Cooling/Heating)	Max	m ³ /h	2100	2100	2500	2900
Sound Power Level	Hi	dB(A)	62	63	65	65
Sound Pressure Level	Hi	dB(A)	49	50	53	52
Running Current	Max	A	6.2	7.1	11.3	13
Refrigerant Type	R410a/R32		R32	R32	R32	R32
Refrigerant Charge	R410a/R32	g	510	530	900	1200
Refrigerant Pipe	Liquid Side Diameter		6.35	6.35	6.35	6.35
	Gas Side Diameter		9.52	9.52	12.7	12.7
	Max Pipe Length/Height		20/10	20/10	25/15	25/15
	Max Pipe Length without Additional Charge		5	5	7	7
	Additional Charge		20	20	20	20

Key Features



Whispering Air



Self-Clean



Intelligent Air



Comfortable Sleep

DRY

Dry Function



-15°C Heating



WiFi Control (hOn)



Extended Kickstand

Rating Conditions:
 Cooling Indoor 27°C DB / 19°C WB, Cooling Outdoor 35°C DB / 24°C WB, Heating Indoor 20°C DB, Heating Outdoor 7°C DB / 6°C WB, (DB: Dry Bulb; WB: Wet Bulb)

For detailed information about ErP, please visit our page <http://www.haier.com/ecodesign>.

Nebula Green-Nordic

Haier Air Conditioning



Self-Clean

Freezes the evaporator with moisture in the air, and removes away dirt in melting, to ensure clean air out of Haier air conditioners.



Wi-Fi Control (hOn)

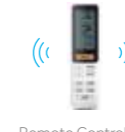
Download the Haier hOn App to an Apple or Android smart device, and link the equipment to the smart device for system control from whenever and wherever you want.



-30°C Heating

Provides powerful heating performance in freezing winter with rotary compressor, DC motor, optimized bottom plate, electric heating wire and special programme, etc.

Nebula Green-Nordic



Outdoor

Remote Controller

Wired Controller
Transfer Kit

Wired Controller

Model	Indoor		AS2S2SN1FA-NRC	AS3S2SN1FA-NRC	AS5S2SN1FA-NRC
	Outdoor		1U2S2SQ1FA-NR	1U3S2SQ1FA-NR	1U5S2SQ1FA-NR
Cooling					
Capacity	Nominal (Min-Max)	Btu/h	8870(2730-13310)	11940(3410-15350)	17740(4780-23880)
	Nominal (Min-Max)	kW	2.6(0.80-3.90)	3.5(1.00-4.50)	5.2(1.40-7.00)
Energy Efficiency	SEER/EER		8.5/4.33	7.8/3.60	7.4/3.61
Energy Class			A+++	A++	A++
Pdesign Capacity		kW	2.6	3.5	5.2
Power Input	Nominal (Min-Max)	kW	0.6(0.2-1.30)	0.97(0.3-1.4)	1.44(0.5-2.25)
Annual Energy Consumption		kWh/a	107	157	246
Operating Limits	Min-Max	C	-15-43 C (out)	-15-43 C (out)	-15-43 C (out)
Heating					
Capacity	Nominal (Min-Max)	Btu/h	12280(2730-21500)	15350(3410-22520)	20470(5120-27300)
Capacity	Nominal (Min-Max)	kW	3.6(0.8-6.3)	4.5(1.00-6.60)	6.0(1.50-8.00)
Energy Efficiency	SCOP/COP (Mild)		4.6/4.30	4.6/3.80	4.6/3.80
	SCOP (Warm/Cold)		5.4/3.76	5.4/3.77	5.1/3.72
Energy Class	Mild/Warm/Cold		A++/A+++/A	A++/A+++/A	A++/A+++/A
Pdesign Capacity (-10°C)		kW	3.6	4	5.2
Power Input	Nominal (Min-Max)	kW	0.84(0.4-2.20)	1.18(0.4-2.35)	1.58(0.6-3.0)
Annual Energy Consumption		kWh/a	1095	1217	1582
Operating Limits		C	-30-24 C (out)	-30-24 C (out)	-30-24 C (out)
Power Supply	Ph/V/Hz		1/230/50	1/230/50	1/230/50
	Position		outdoor	outdoor	outdoor
Indoor					
Net Dimension	W/D/H	mm	900/210/310	900/210/310	997/230/322
Package Dimension	W/D/H	mm	991/313/399	991/313/399	1085/329/403
Net/Shipping Weight		kg	11.5/14	11.5/14	13/16
Air Flow (Cooling/Heating)	Max	m³/h	650	700	900
Sound Power Level	Cooling (Hi)	dB(A)	54	56	57
	Heating (Hi)	dB(A)	55	57	58
Sound Pressure Level	Cooling (Hi/Mid/Lo/So)	dB(A)	35/30/25/20	38/33/29/22	41/37/33/28
	Heating (Hi/Mid/Lo/So)	dB(A)	36/31/26/20	39/34/30/23	42/38/34/29
Moisture Removal		10-3m³/h	1.2	1.6	2
Outdoor					
Compressor			HIGHLY	HIGHLY	Mitsubishi
Net Dimension	W/D/H	mm	820/338/614	820/338/614	890/353/697
Package Dimension	W/D/H	mm	993/413/685	993/413/685	1046/460/780
Net/Shipping Weight		kg	38.5/42	38.5/42	45.5/49.5
Air Flow (Cooling/Heating)	Max	m³/h	2100	2200	2800
Sound Power Level	Hi	dB(A)	59	61	65
Sound Pressure Level	Hi	dB(A)	47	48	53
Running Current	Max	A	10.6	10.8	13
Refrigerant Type	R410a/R32		R32	R32	R32
Refrigerant Charge	R410a/R32	g	1000	1000	1200
Refrigerant Pipe	Liquid Side Diameter		6.35	6.35	6.35
	Gas Side Diameter		9.52	9.52	12.7
	Max Pipe Length/Height		20/10	20/10	25/15
	Max Pipe Length without Additional Charge		7	7	7
	Additional Charge		20	20	20

Key Features



Self-Clean



Wi-Fi Control (hOn)



-30°C Heating



Freeze-Prevention Technology



Compressor Preheating Technology



3D Airflow



10°C Heating Maintenance

Rating Conditions:
Cooling Indoor 27°C DB / 19°C WB, Cooling Outdoor 35°C DB / 24°C WB, Heating Indoor 20°C DB, Heating Outdoor 7°C DB / 6°C WB, (DB: Dry Bulb; WB: Wet Bulb)

For detailed information about ErP, please visit our page <http://www.haier.com/ecodesign>.

All Comfort

Haier Air Conditioning

BNT Golden Airflow

With unique air circulation system, conventional 10°C cold airflow is changed to 23°C golden airflow.

LIEP Golden Air Quality

Advanced LIEP purification technology removes airborne pollutants with efficiency up to 99.9%.

Self-Clean

Freezes the evaporator with moisture in the air, and removes away dirt in melting, to ensure clean air out of Haier air conditioners.



All Comfort



Outdoor



Remote Controller

Model	Indoor		AP71UFAHRA
	Outdoor		1U71REAFRA
Cooling			
Capacity	Nominal (Min-Max)	Btu/h	24570(3070-30370)
	Nominal (Min-Max)	kW	7.2(0.9-8.9)
Energy Efficiency	SEER/EER		7.0/3.23
Energy Class			A++
Pdesign Capacity		kW	7.2
Power Input	Nominal (Min-Max)	kW	2.23(0.12-2.8)
Annual Energy Consumption		kWh/a	360
Operating Limits	Min-Max	°C	-10-43°C (out)
Heating			
Capacity	Nominal (Min-Max)	Btu/h	27302(3070-35830)
Capacity	Nominal (Min-Max)	kW	8.0(0.9-10.5)
Energy Efficiency	SCOP/COP (Mild)		4.0/3.71
	SCOP (Warm/Cold)		4.2/-
Energy Class	Mild/Warm/Cold		A+/A+/-
Pdesign Capacity (-10°C)		kW	5.5
Power Input	Nominal (Min-Max)	kW	2.15(0.19-2.8)
Annual Energy Consumption		kWh/a	1925
Operating Limits		°C	-15-24°C (out)
Power Supply	Ph/V/Hz		1/230/50
	Position		indoor
Indoor			
Net Dimension	W/D/H	mm	505/330/1810
Package Dimension	W/D/H	mm	640/455/1990
Net/Shipping Weight		kg	47/59
Air Flow (Cooling/Heating)	Max	m³/h	1200
Sound Power Level	Cooling (Hi)	dB(A)	62
	Heating (Hi)	dB(A)	63
Sound Pressure Level	Cooling (Hi/Mid/Lo/So)	dB(A)	45/42/34/26
	Heating (Hi/Mid/Lo/So)	dB(A)	45/42/34/26
Moisture Removal		10-3m³/h	4.25
Outdoor			
Compressor			Mitsubishi
Net Dimension	W/D/H	mm	890/353/697
Package Dimension	W/D/H	mm	1046/460/780
Net/Shipping Weight		kg	47/52
Air Flow (Cooling/Heating)	Max	m³/h	/
Sound Power Level	Hi	dB(A)	69
Sound Pressure Level	Hi	dB(A)	56
Running Current	Max	A	14.5
Refrigerant Type	R410a/R32		R32
Refrigerant Charge	R410a/R32	g	1600
Refrigerant Pipe	Liquid Side Diameter		6.35
	Gas Side Diameter		12.7
	Max Pipe Length/Height		20/10
	Max Pipe Length without Additional Charge		7
	Additional Charge		20

Key Features



Balanced Temperature



LIEP



Self-Clean



Whispering Air



Wi-Fi Control



-15°C Heating



Comfortable Sleep

Rating Conditions:
Cooling Indoor 27°C DB / 19°C WB, Cooling Outdoor 35°C DB / 24°C WB, Heating Indoor 20°C DB, Heating Outdoor 7°C DB / 6°C WB.(DB: Dry Bulb; WB: Wet Bulb)

For detailed information about ERP, please visit our page <http://www.haier.com/ecodesign>.

Cabinet

Haier Air Conditioning

Self-Clean

Freezes the evaporator with moisture in the air, and removes away dirt in melting, to ensure clean air out of Haier air conditioners.

WiFi Wi-Fi Control

Download the Haier hOn App to an Apple or Android smart device, and link the equipment to the smart device for system control from whenever and wherever you want.

Auto Vertical Airflow

Moves vertically and works with horizontal flaps to achieve various air angle.



Cabinet



Outdoor



Remote Controller

Model	Indoor		AP71DFCHRA
	Outdoor		1U71RECFA
Cooling			
Capacity	Nominal (Min-Max)	Btu/h	24570(3070-30370)
	Nominal (Min-Max)	kW	7.2(0.9-8.9)
Energy Efficiency	SEER/EER		7.0/3.23
Energy Class			A++
Pdesign Capacity		kW	7.2
Power Input	Nominal (Min-Max)	kW	2.23(0.12-2.8)
Annual Energy Consumption		kWh/a	360
Operating Limits	Min-Max	C	-10-43 C (out)
Heating			
Capacity	Nominal (Min-Max)	Btu/h	27302(3070-35830)
Capacity	Nominal (Min-Max)	kW	8.0(0.9-10.5)
Energy Efficiency	SCOP/COP (Mild)		4.0/3.72
	SCOP (Warm/Cold)		4.2/-
Energy Class	Mild/Warm/Cold		A+/A+/-
Pdesign Capacity (-10 C)		kW	5.5
Power Input	Nominal (Min-Max)	kW	2.15(0.19-2.8)
Annual Energy Consumption		kWh/a	1925
Operating Limits		C	-15-24 C (out)
Power Supply	Ph/V/Hz		1/230/50
	Position		indoor
Indoor			
Net Dimension	W/D/H	mm	377/407/1810
Package Dimension	W/D/H	mm	525/555/1935
Net/Shipping Weight		kg	34/45
Air Flow (Cooling/Heating)	Max	m³/h	1200
Sound Power Level	Cooling (Hi)	dB(A)	62
	Heating (Hi)	dB(A)	63
Sound Pressure Level	Cooling (Hi/Mid/Lo/So)	dB(A)	45/42/34/26
	Heating (Hi/Mid/Lo/So)	dB(A)	45/42/34/26
Moisture Removal		10-3m³/h	4.25
Outdoor			
Compressor			Mitsubishi
Net Dimension	W/D/H	mm	890/353/697
Package Dimension	W/D/H	mm	1046/460/780
Net/Shipping Weight		kg	47/52
Air Flow (Cooling/Heating)	Max	m³/h	/
Sound Power Level	Hi	dB(A)	69
Sound Pressure Level	Hi	dB(A)	56
Running Current	Max	A	14.3
Refrigerant Type	R410a/R32		R32
Refrigerant Charge	R410a/R32	g	1600
Refrigerant Pipe	Liquid Side Diameter		6.35
	Gas Side Diameter		12.7
	Max Pipe Length/Height		20/10
	Max Pipe Length without Additional Charge		7
	Additional Charge		20

Key Features

WiFi
Wi-Fi Control

Self-Clean

Vertical Airflow

3D Airflow

-15°C Heating

Comfortable Sleep

Rating Conditions:
Cooling Indoor 27°C DB / 19°C WB, Cooling Outdoor 35°C DB / 24°C WB, Heating Indoor 20°C DB, Heating Outdoor 7°C DB / 6°C WB.(DB: Dry Bulb; WB: Wet Bulb)

For detailed information about ERP, please visit our page <http://www.haier.com/ecodesign>.

Portable

Haier Air Conditioning

Strong Airflow

Cools down the whole room with auto-swing function.

DRY Dry Function

Adjusts the fan speed to achieve dehumidification.

E7 Self-Diagnosis

Shows error code when it malfunctions.



Portable



Model	AM09AA1TAA	AM09AA1GAA	AM12AA1TAA	AM12AA1GAA
Cooling capacity (Btu/h)	9000	9000	12000	12000
Cooling capacity (W/h)	2600w	2600w	3500	3500
Heating capacity (Btu/h)	N/A	9895	N/A	11260
Heating capacity (W/h)	N/A	2900	N/A	3300
Energy level (EER value)	A (2.61)	A (2.61)	A (2.61)	A (2.61)
Energy level (COP value)	/	2.8	/	A (2.75)
Power supply	220-240-/50Hz	220-240-/50Hz	220-240-/50Hz	220-240-/50Hz
Refrigerant Type	R290	R290	R290	R290
Refrigerant charge	235(g)	235(g)	245(g)	245(g)
Rated input (W)	1050	1050 for cooling / 1000 for heating	1370	1370 for cooling / 1350 for heating
EER Level (W/W)	2.61	2.61	2.61	2.61
Rated currency (A)	4.8	4.8	5.9	5.9
Moisture removal	0.9	0.9	1.2	1.2
Air circulation	350m³/h	350m³/h	350m³/h	350m³/h
Noise level dB(A)(H/M/L)	56/54/52	56/54/52	56/54/52	56/54/52
Body size	815/443/340mm	815/443/340mm	815/443/340mm	815/443/340mm
Packing size	880/480/435mm	880/480/435mm	880/480/435mm	880/480/435mm
Weight	25/30kg	25/30kg	28/33kg	28/33kg
Loading 20' GQ	126	126	126	126
Loading 40' GQ	258	258	258	258
Loading 40' HQ	385	385	385	385

Key Features

Design

- Appearance
Innovative & Compact Design
- Display
LED Display
- Control
Ergonomic design of control panel

Smart

- Air Flow
Cool down the room quickly with auto-swing function
- Air Outlet
The air outlet can open and close automatically when switch on/off
- Self-Diagnosis
Show the error code when the unit has a malfunction
- 24h Timer
Switch on/off the unit whenever you want

Friendly

- Draining
Two drain ports, both auto-draining and manual draining is available
- Universal Wheels
The unit can be moved to wherever you wish
- Controller Bracket
Special design to hold the remote controller helps avoid losing
- For Easy Storage
The power cable can be held for easier storage.

Performance

- Multi-Function
Can be used as AC/ Fan/Dehumidifier in your home or office
- Strong Performance
Strong cooling capacity
Strong airflow (350m³/hr, 9k model)
- Low Noise
48dB(A) at low fan speed

Rating Conditions: Cooling Indoor 27°C DB / 19°C WB, Cooling Outdoor 35°C DB / 24°C WB, Heating Indoor 20°C DB, Heating Outdoor 7°C DB / 6°C WB. (DB: Dry Bulb; WB: Wet Bulb)

For detailed information about ERP, please visit our page <http://www.haier.com/ecode sign>.

Dehumidifier

Haier Air Conditioning

Fast Drying

Lowers room air humidity and dries clothes quickly.

Large Capacity

Uses 2L water tank and sends alert when it is full

Compact Design

Takes less space and easier to move.



Dehumidifier



AG10AA1TAA
AG12AA1TAA



AG16AB2TAA
AG20AB2TAA

Model	AG10AA1TAA	AG12AA1TAA	AG16AB2TAA	AG20AB2TAA
Capacity (L/D)	10	12	16	20
Power (V-,Hz)	220-240V/50hZ	220-240V/50hZ	220-240V/50hZ	220-240V/50hZ
Input Power (W)	240	240	255	400
Current (A)	1.1	1.1	1.1	1.7
Air Flow (m ² /h)	80	80	130	150
Noise (High dB(A))	42	42	44	45
Applicable Area (m ²)	10-12	12-15	20-25	25-30
Water Tank (L)	1.8	1.8	2.0	2.0
Loading Qty	750/1550/1850	750/1550/1850	596/1244/1550	596/1244/1550
Body Size (W/H/D)	296/416/217	296/416/217	292/501/190	292/501/190
Package Size(W/H/D)	342/445/261	342/445/261	248/343/524	248/343/524
Net/GrossWeight	9.5/10.5kg	9.5/10.5kg	10/12kg	12/15kg

Key Features

Auto-swing function, speed up drying clothes.

Water full alarm function

Auto restart function.

Low noise.

LED display.

High-capacity water tank design 2.0 liter.

Casters for easily moving.

Concise appearance design, no screws on the outside.

Small body with high loading quantity, save logistics cost.

High and low two wind speed adjustable.

Good dehumidifying capacity, long distance air supply.

One button auto-dehumidifying function.

Automatically draining function.

24-hour timer function.

Power failure memory function.

Rating Conditions: Cooling Indoor 27°C DB / 19°C WB. Cooling Outdoor 35°C DB / 24°C WB. Heating Indoor 20°C DB. Heating Outdoor 7°C DB / 6°C WB. (DB: Dry Bulb; WB: Wet Bulb)

For detailed information about ERP, please visit our page <http://www.haier.com/ecodesign>.

Multi Outdoor



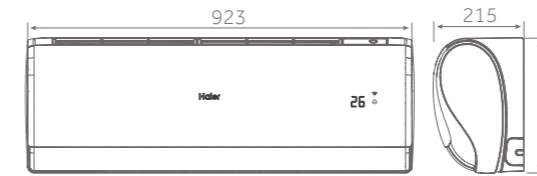
Model/Outdoor unit		2U40S2SM1FA	2U50S2SM1FA	2U50S2SM1FA-3
Indoor unit combinations		2	2	2
Outdoor unit				
Electrical Parameters	Ph/V/Hz	1/230/50	1/230/50	1/230/50
Performance	m ³ /h	2200	2400	2400
	dB(A)	62	63	63
	dB(A)	56	53	56
Installation	mm	800/275/553	800/275/553	800/275/553
	mm	954/409/625	954/409/625	954/409/625
	kg	34.0/37.0	36.0/39.0	36.0/39.0
		Twin Rotary	Twin Rotary	Twin Rotary
		R32	R32	R32
		675	675	675
Installation	mm	2x6.35	2x6.35	2x6.35
	mm	2x9.52	2x9.52	2x9.52
	m	30	30	30
	m	20	20	20
	m	15	15	15
	m	15	15	15
	kg	1.0	1.4	1.1
Installation	Maximum pipe length without charge refrigerant	m	20	20
	Refrigerant charge quantity for extra length	g/m	20	20
Working temp.	C	-10-43	-10-43	-10-43
	C	-15-24	-15-24	-15-24

Match list	Jade Supermatch			Flexis Plus/Flair Plus					Pearl/Tundra Plus			
	25	35	50	20	25	35	42	50	20	25	35	50
2U40S2SM1FA	●	●		●	●	●			●	●	●	
2U50S2SM1FA				●	●	●	●	●	●	●	●	●
2U50S2SM1FA-3	●	●	●									●

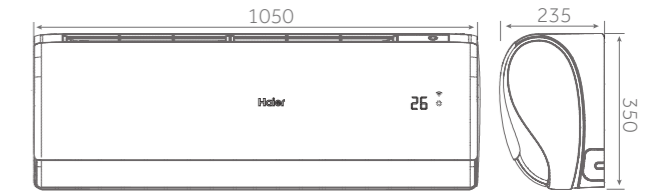
Dimensional Indoor

R32 Jade Super Match

AS25S2SJ1FA-3/AS35S2SJ1FA-3



AS50S2SJ1FA-3



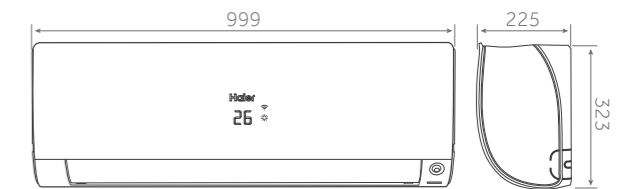
R32 Flexis Plus

AS25S2SF1FA-MB3/AS25S2SF1FA-MW3
AS35S2SF1FA-MB3/AS35S2SF1FA-MW3
AS42S2SF1FA-MB3/AS42S2SF1FA-MW3

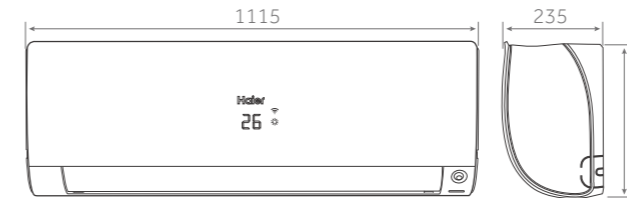
AS25S2SF1FA-MB3/AS25S2SF1FA-MW3
AS35S2SF1FA-MB3/AS35S2SF1FA-MW3
AS42S2SF1FA-MB3/AS42S2SF1FA-MW3



AS50S2SF1FA-MB3/AS50S2SF1FA-MW3



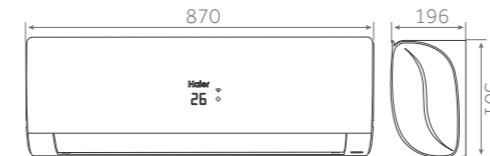
AS71S2SF1FA-MB3/AS71S2SF1FA-MW3



R32 Flair Plus

AS25S2SF2FA-3/AS35S2SF2FA-3
AS42S2SF2FA-3

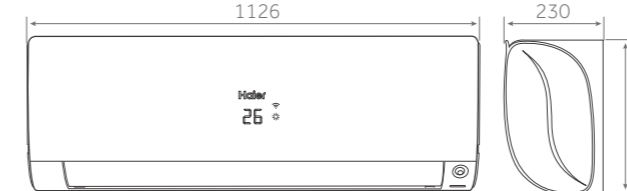
AS25S2SF2FA-3/AS35S2SF2FA-3
AS42S2SF2FA-3



AS50S2SF2FA-3



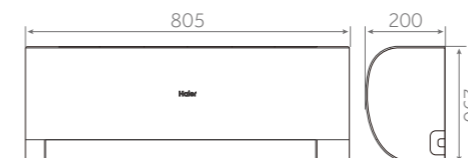
AS71S2SF2FA-3



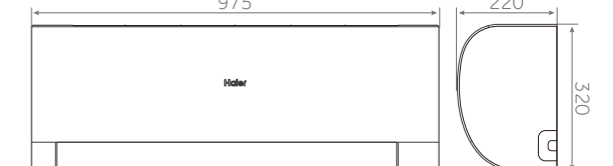
R32 Pearl

AS25PBAHRA/AS35PBAHRA

AS25PBAHRA/AS35PBAHRA



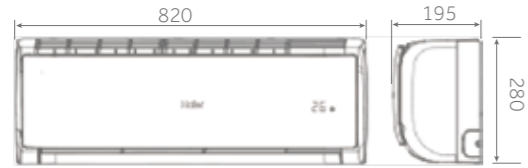
AS50PDAHRA



Dimensional Indoor

R32 Tundra Plus

AS25TADHRA-2/AS25TADHRA-CLC
AS35TADHRA-2/AS35TADHRA-CLC

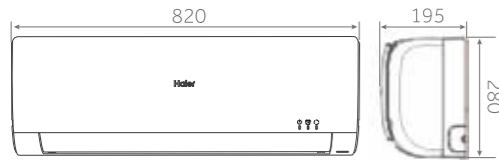


AS68TEDHRA-CLC

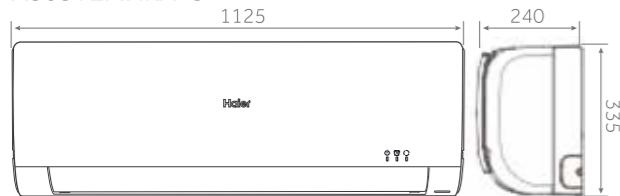


Tide Plus

AS25THMHRA-C/AS35TAMHRA-C



AS68TEMHRA-C



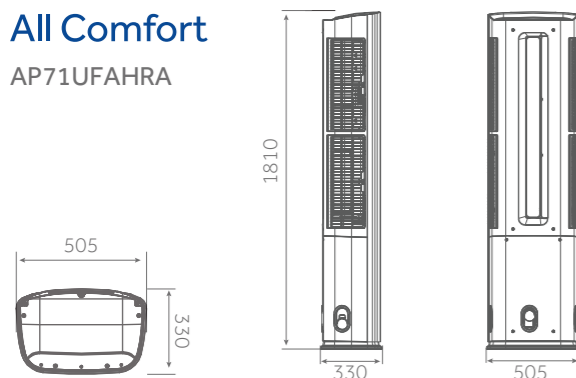
Nebula Green-Nordic

AS25S2SN1FA-NRC/AS35S2SN1FA-NRC

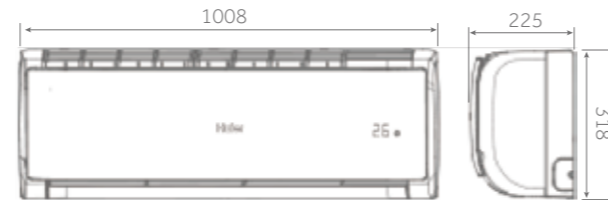


All Comfort

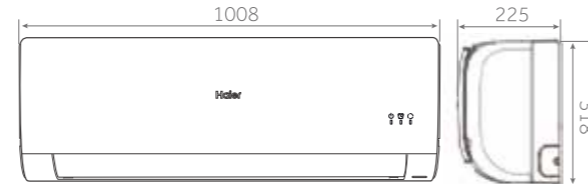
AP71UFAHRA



AS50TDDHRA-CLC



AS50TDMHRA-C

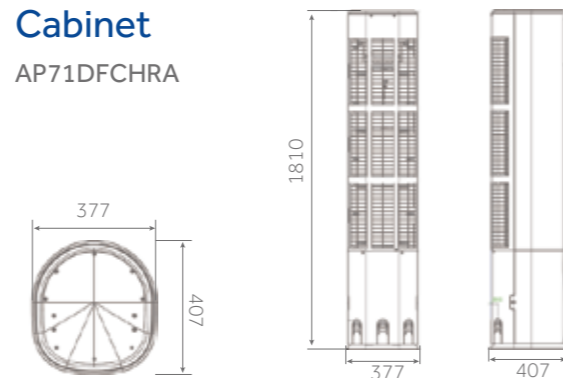


AS50S2SN1FA-NRC



Cabinet

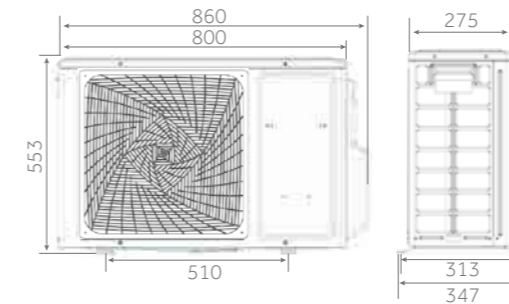
AP71DFCHRA



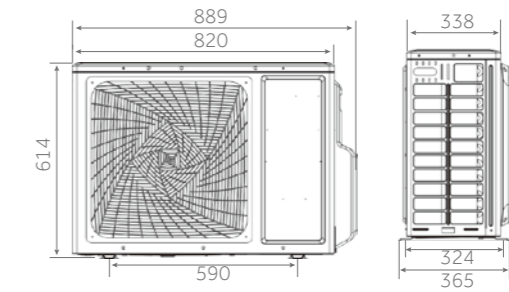
Dimensional Outdoor

R32 Jade Super Match

1U25MECFRA-3/1U35MECFRA-3

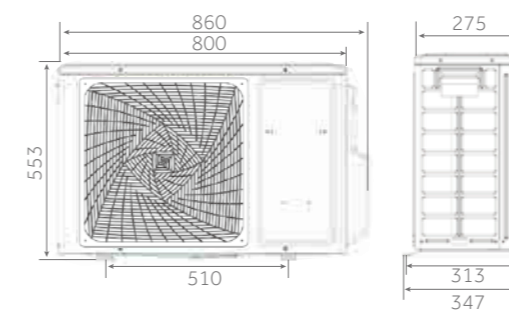


1U50JECFRA-3

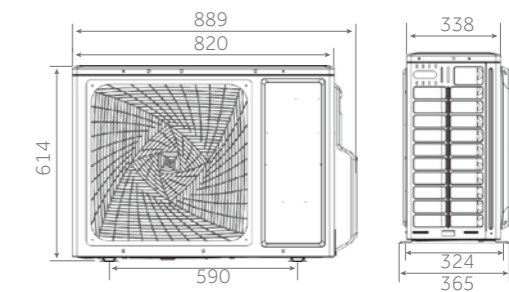


R32 Flexis Plus/Flair Plus

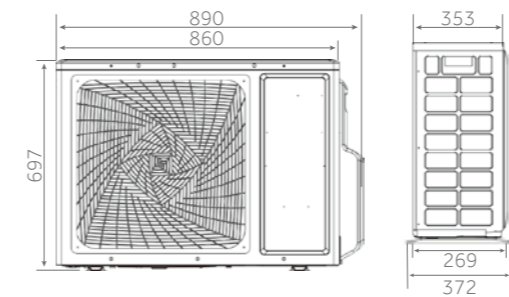
1U25S2SM1FA/1U35S2SM1FA
1U42S2SM1FA



1U50S2SJ2FA/1U50S2SJ2FA-1

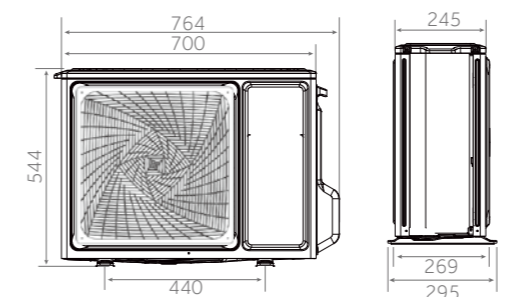


1U71S2SR2FA

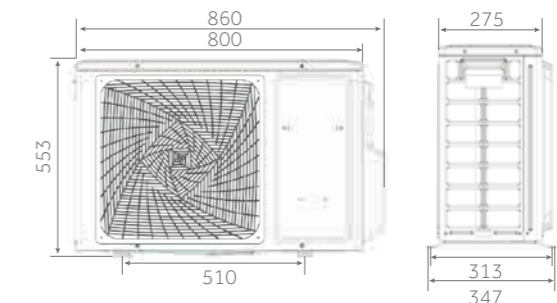


R32 Pearl

1U25YEGFRA/1U35YEGFRA

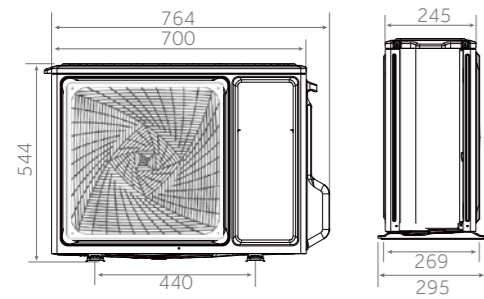


1U50MEGFRA

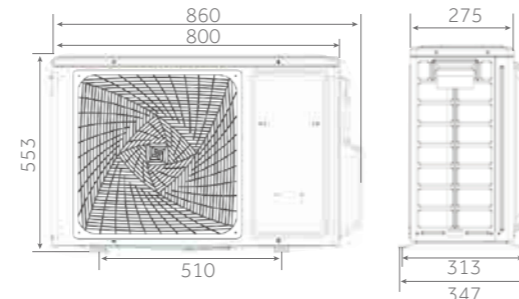


R32 Tundra Plus

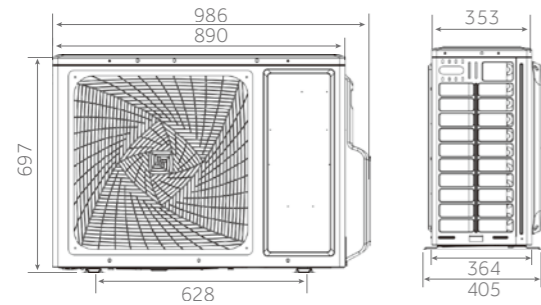
1U25YEEFRA



1U35MEEFRA/1U50MEGFRA

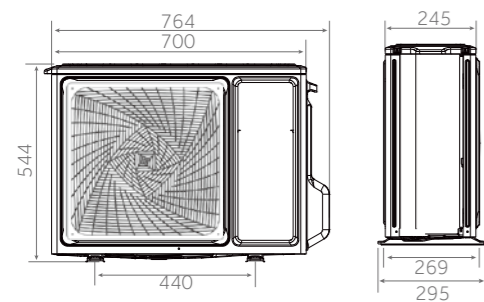


1U68REEFRA

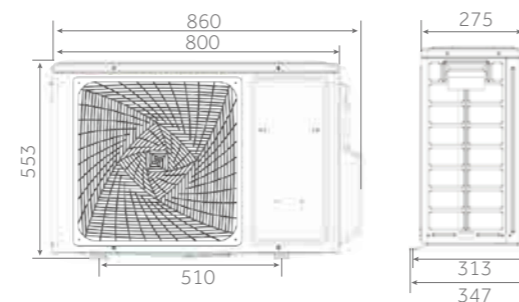


Tide Plus

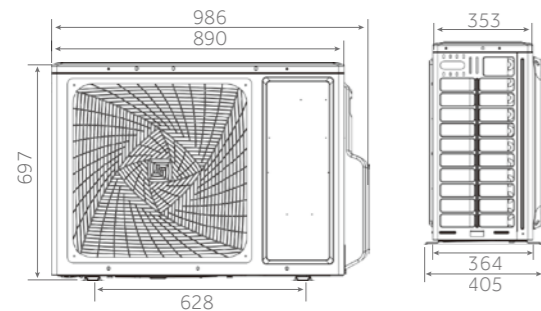
1U25YEFFRA-C/1U35YEFFRA-C



1U50MEMFRA-C

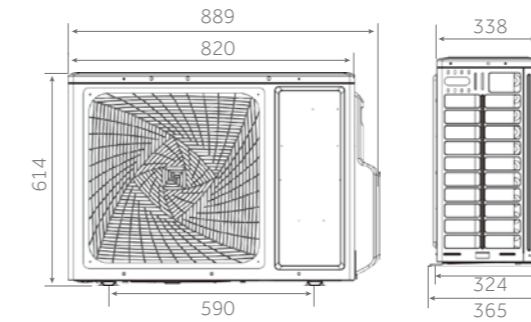


1U68RENFRA-C

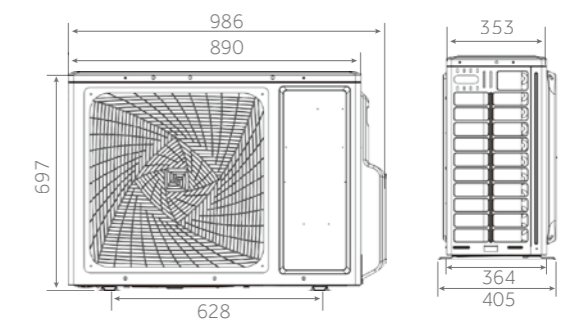


Nebula Green-Nordic

1U25S2SQ1FA-NR/1U35S2SQ1FA-NR

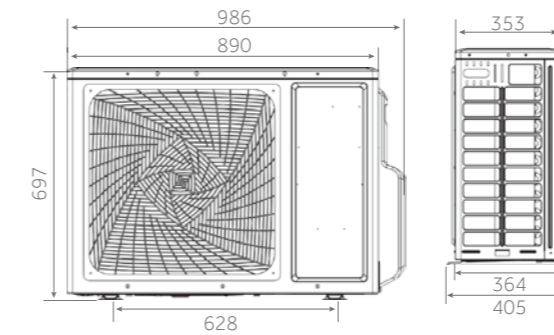


1U50S2SQ1FA-NR



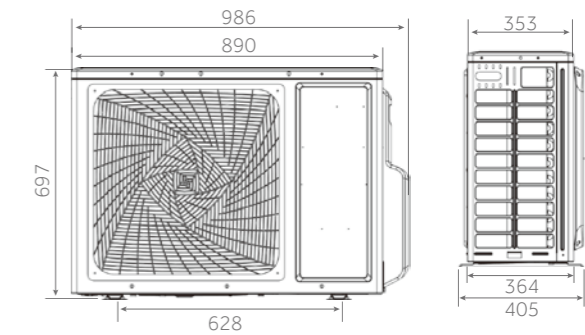
All Comfort

1U71REAFRA



Cabinet

1U71RECFRA



2U50S2SM1FA-3/2U50S2SM1FA 2U40S2SM1FA

